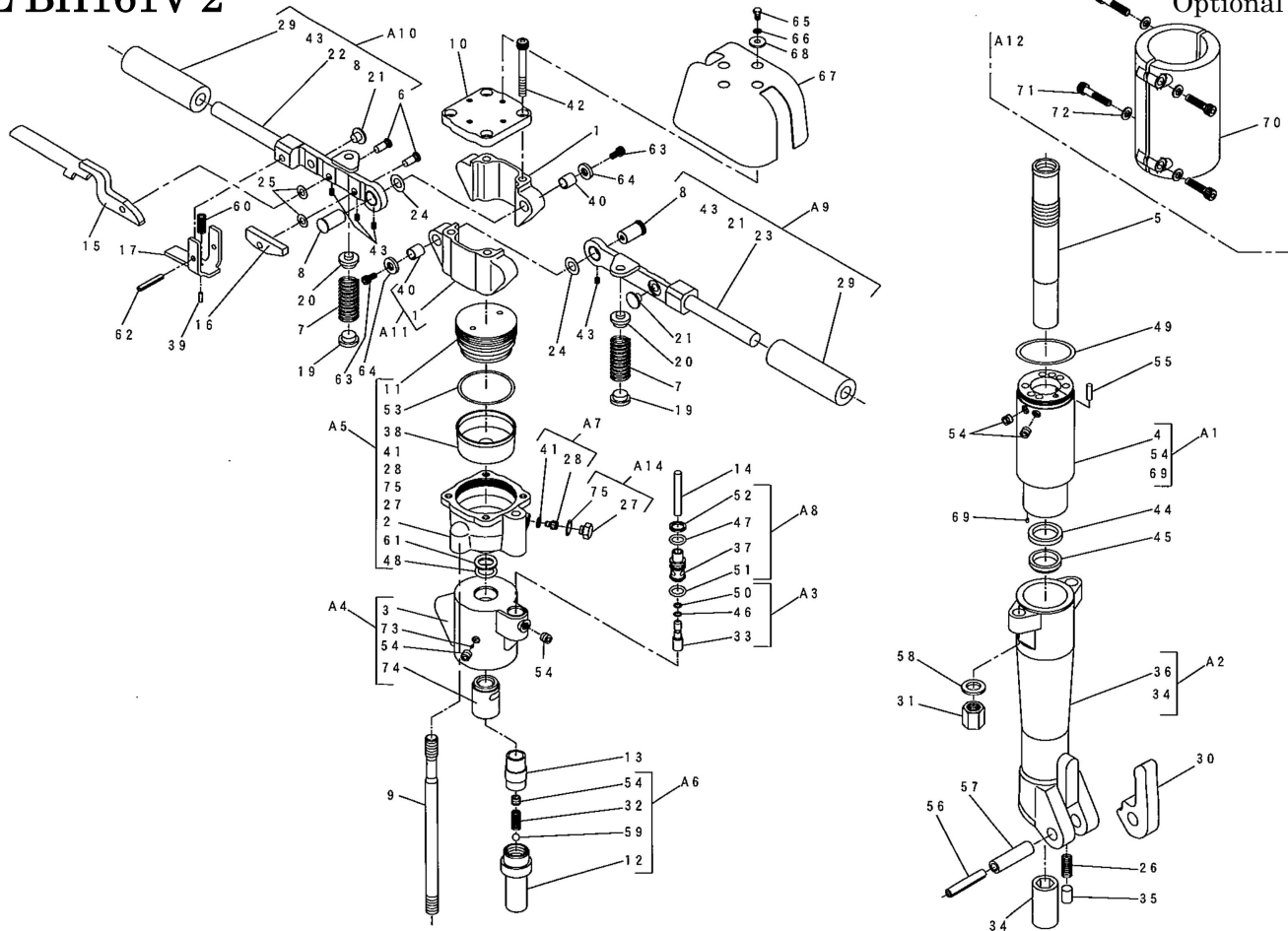


EXPLODED VIEW MODEL BH161V-2



PARTS LIST MODEL BH161V-2

No.	Code	Descriptions	Q'ty	No.	Code	Descriptions	Q'ty
1	MB19Y001B	Cover	2	29	1120 – 414	Handle Grip	2
2	MB19Y002A	Shell	1	30	1120 – 419	Latch (1")	1
3	MB32X002A	Valve Body	1	31	1120 – 423	Nut	2
4	MB19Y004A	Cylinder (V)	1	32	M1HTE107A	Spring (P)	1
5	MB19Y005A	Piston (V)	1	33	M1KTE111A	Valve Rod	1
6	MB19Z006A	Pin	2	34	M1XTE116A	Chisel Bushing	1
7	MB19Z007A	Spring	2	35	M1KTE173A	Lock Pin	1
8	MB19Z008B	Pin	2	36	M1XTE102A	Front End	1
9	MB19Z009A	Stud Bolt	2	37	M2LTE108A	Valve Guide	1
10	MB19Z010A	Cover	1	38	MB02E006A	Diaphragm	1
11	MB19Z011A	Lid	1	39	PR – 3x8	Spring Pin	1
12	MB32Z004A	Inner Tube (V)	1	40	K5B1620	DU Bush	2
13	MB19Z013A	Control Valve (V)	1	41	W6S1	Seal Washer W6S1	1
14	MB19Z014A	Push Rod	1	42	BH – 8 x 70	Bolt	4
15	MB35Z010A	Control Lever	1	43	SH – 5 x 8	Screw	4
16	MB19Z016A	Lever	1	44	IUIS30, 40, 6	U Cup Packing	1
17	MB35Z011A	Lock Lever	1	45	LBI30, 38,5 6.5	Dust Seal	1
18	MB19Z032A	Pin (A)	1	46	OP – 5	O – Ring	1
19	MB19Z019A	Spring Washer	2	47	OP – 14	O – Ring	1
20	MB19Z020A	Spring washer	2	48	OP – 22	O – Ring	1
21	MB19Z021A	Pad	2	49	OG – 60	O – Ring	1
22	MB35Z009A	Handle (L)	1	50	OBP – 5	O – Ring	1
23	MB19Z023B	Handle (R)	1	51	OP – 12.5 1B	O – Ring	1
24	MB19Z024B	Washer	2	52	OBP – 14	O – Ring	1
25	MB19Z035A	Washer	2	53	CO – 0644	O – Ring	1
26	1110 – 410	Lock Spring	1	54	BPH1 – PT 1/8	Plug	9
27	MB35Z017A	Plug	1	55	PR – 6 x 20	Pin	1
28	1120 – 413	Cap Bolt	1	56	PR – 10 x 60	Pin	1

No.	Code	Descriptions	Q'ty
57	PR – 16 x 60	Pin	1
58	WF – 14 2L	Spring Washer	2
59	QB – 5/16	Steel Ball	1
60	WF8-30	Spring	1
61	OBP – 22	O Ring	1
62	PR – 6 x 40	Spring Pin	1
63	BH – 6 x 12	Bolt	2
64	MAB19Z030A	Guide Bush	2
65	SBH – 6 x 12	Bolt	4
66	WS – 6	Washer	4
67	MB19Y046A	Cover (A)	1
68	MB19Z047A	Collar	4
69	MB850 – 040	Expander	2
70	MB08Y025A	5kg Weight	2
71	BH 8x40	Bolt	4
72	WF 8 – 1L	Spring	4
73	M2LTE120A	M6 Orifice (dia.2.6)	1
74	MB32Z003A	Valve Bush	1
75	OS – 15	O Ring	1

No.	Code	Descriptions	Q'ty	
A1	MB19Z052A	Cylinder Assy	1	4, 54 (4), 69 (2)
A2	M1XTZ504A	Front End Assy	1	34,36
A3	M1XTZ505A	Valve Rod Assy	1	33,46,50
A4	MB32Z500A	Valve Body Assy	1	3, 54(3), 73, 74
A5	MB19Z051A	Accumulator Assy	1	2, 11, 27, 28, 38,41, 48, 53, 76
A6	MB32Z501A	Inner Tube Assy	1	12,32,54,59
A7	MB24Z509A	Cap Bolt Assy	1	28,41
A8	M2LTZ506A	Valve Guide Assy	1	37,47,51,52
A9	MB19Z040A	Handle(R) Assy	1	23,29,21,8,43
A10	MB35Z501A	Handle (L) Assy	1	22,29,21,6,8,43(3)
A11	MB19Z044A	Cover Assy	1	1, 40
A12	MB08Y025A	5kg Weight Assy	1	70(2), 71(4), 72(4)
A13	MB19Z039A	Seal Kit	1	47, 41, 44, 45, 53, 49, 48, 46, 50, 51, 52, 75
A14	MB35Z018A	Plug Assy	1	27, 75

-