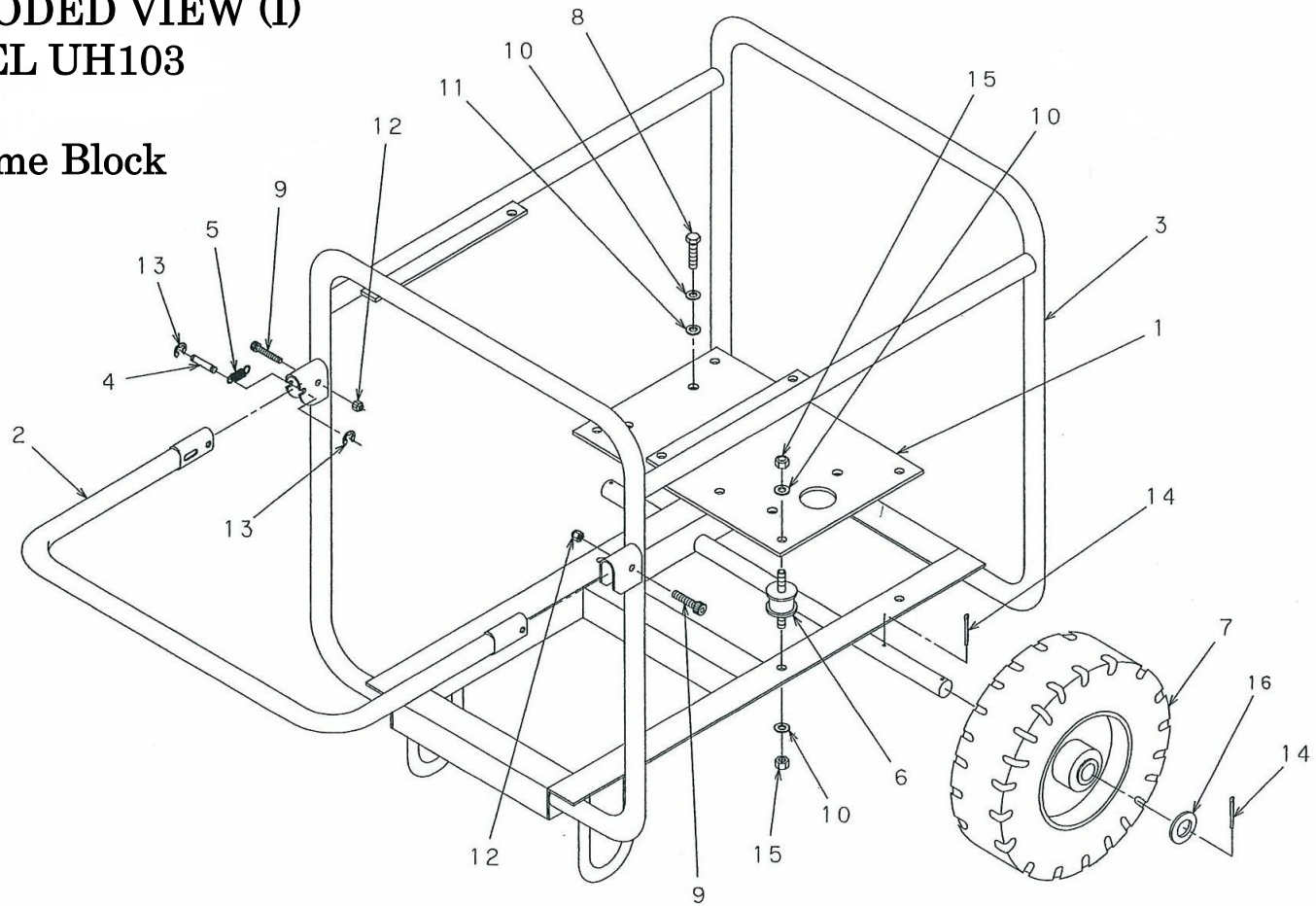


EXPLODED VIEW (I) MODEL UH103

1. Frame Block



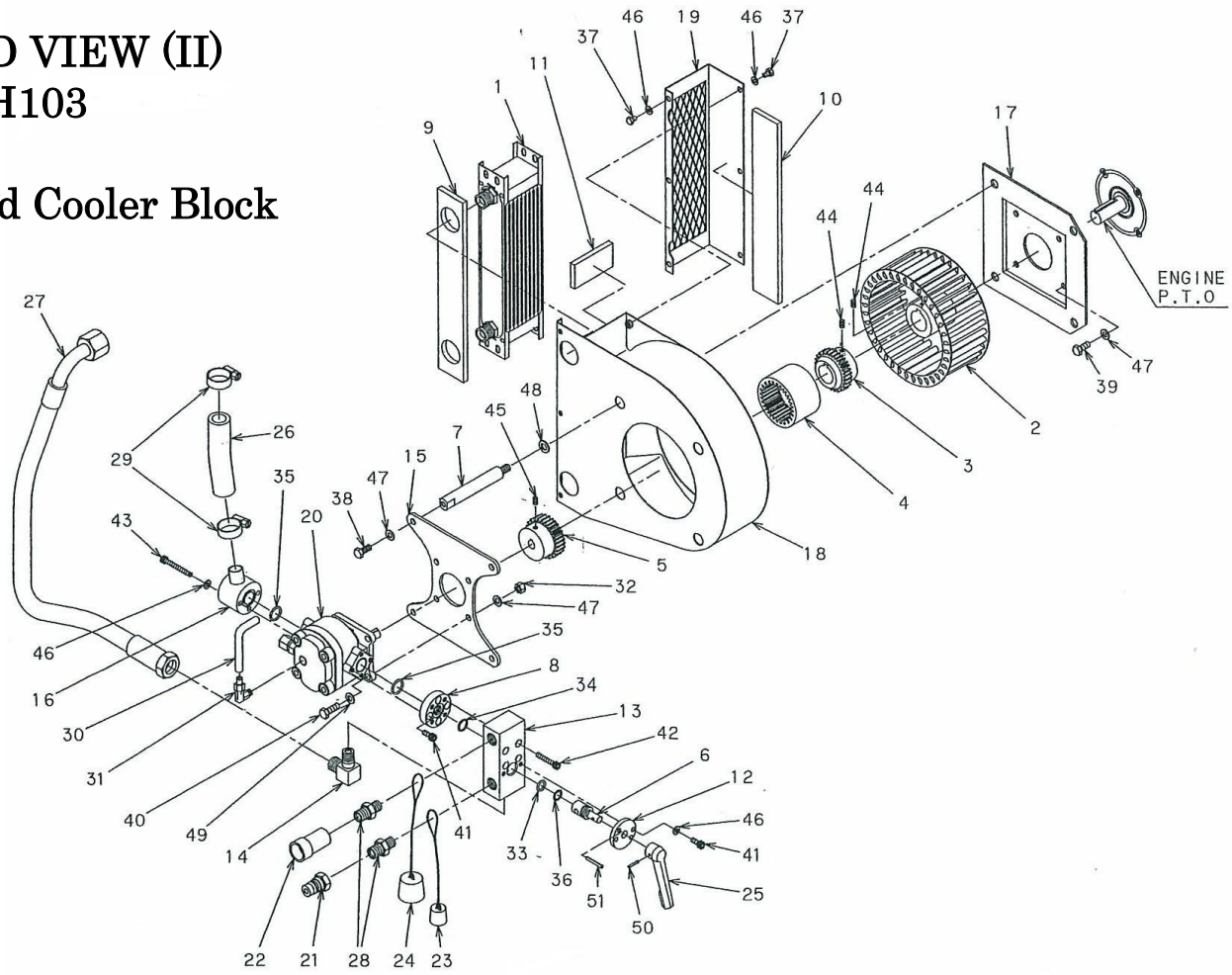
PARTS LIST (I) MODEL UH103

1. Frame Block

No.	Code	Description	Q'ty
1	MU07Z015A0	Engine Base	1
2	MU07Z018A0	Handle	1
3	MU07X022A0	Frame	1
4	1230 – 408	Handle Pin	1
5	1230 – 409	Spring	1
6	KA – 30	Cushion Rubber	4
7	PT – 300	Tire	2
8	B – 8 x 45	Hex. Bolt M8 x 45	4
9	BH – 6 x 30	Hex. Bolt M6 x 30	2
10	WS – 8	Washer	12
11	WP – 8	Washer	4
12	NN – 6	Nut	2
13	E – 5	E-Shape Ring	2
14	PS – 3.2 x 30	Split Pin \varnothing 3.2 x 30	4
15	N1 – 8	Nut	8
16	WP – 20	Washer	2

EXPLODED VIEW (II) MODEL UH103

2. Pump and Cooler Block



PARTS LIST MODEL UH103 (II)

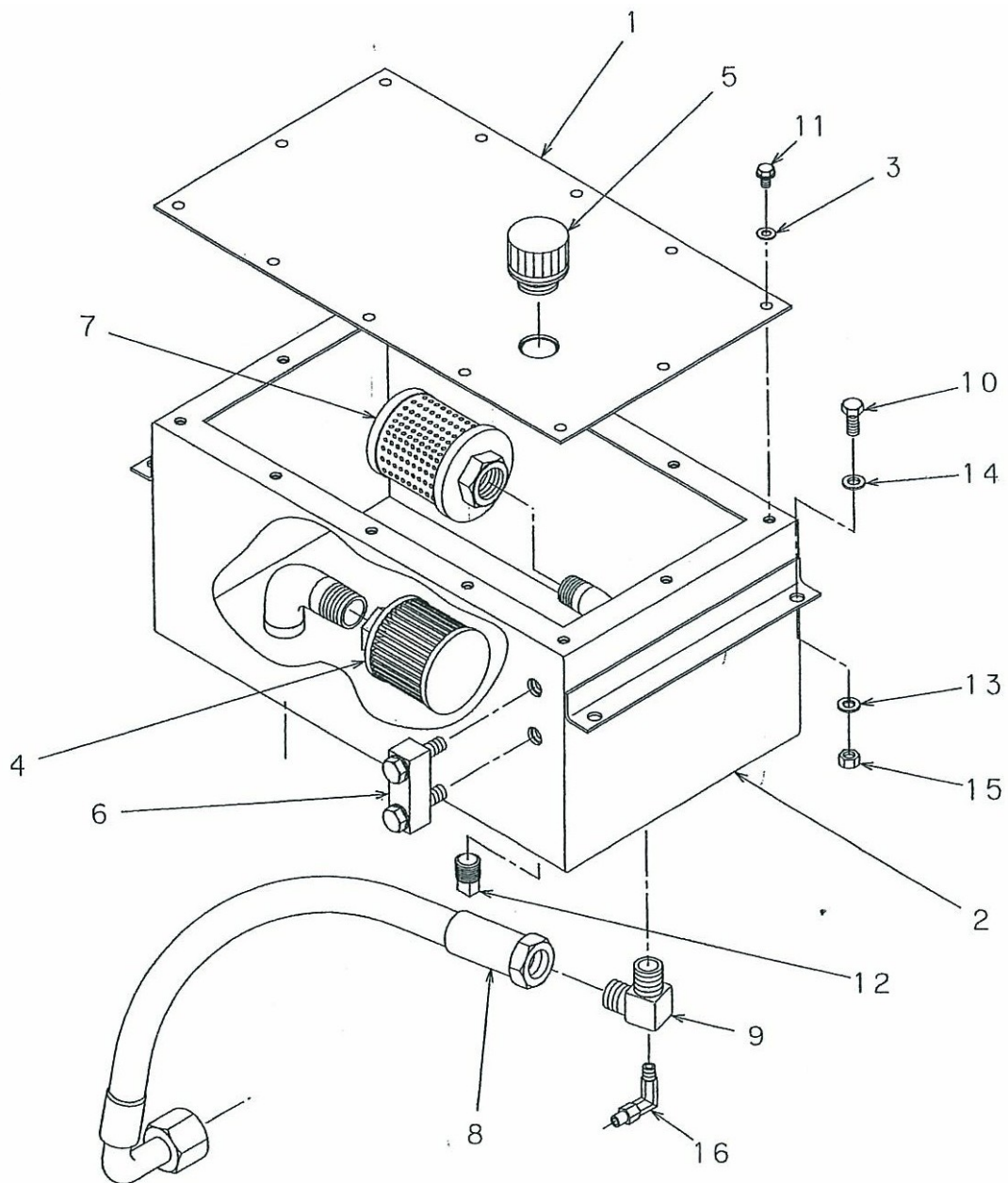
2. Pump and Cooler Block

No.	Code	Description	Q'ty	No.	Code	Description	Q'ty
1	MU07Z001A0	Radiator	1	22	QC – 03F	Coupler (Female)	1
2	MU07Z002A0	Fan	1	23	CC – 03M	Coupler Cap (Male)	1
3	MU07Z003A0	Coupler (E) & (P)	1	24	CC – 03F	Coupler Cap (Female)	1
4	BOWEXM32	HUB	1	25	FLR10	Control Lever	1
5	MU07Z003A0	Coupler (E) & (P)	1	26	MU07Z024A0	Suction Hose	1
6	MU07Z004A0	Rotary	1	27	03126 · 7 - - 42 - -	Hydraulic Hose	1
7	MU07Z005A0	Stud Bolt	1	28	AJ – 2083 - 06	Nipple	2
8	MU07Z006A0	Flange	1	29	SS – 12	Hose Band	2
9	MU07Z007A0	Packing (A)	1	30	MU07Z023A0	Nylon Tube	1
10	MU07Z008A0	Packing (B)	1	31	L4N10 x 8 – PT1/4	Elbow	1
11	MU07Z009A0	Packing (C)	2	32	N1 – 8	Nut	4
12	MU07Z010A0	Plate	1	33	OP – 14	O Ring P14	1
13	MU07Z011A0	Valve Body	1	34	OP – 18	O Ring P18	1
14	AJ – 1034 – 0806	Adaptor(Male 90° Elbow)	1	35	OP – 22	O Ring P22	2
15	MU07Z014A0	Pump Flange	1	36	OBP – 14	Back Up Ring	1
16	MU07Z016A0	Suction Flange	1	37	B – 6 x10	Bolt	6
17	MU07Z017A0	Plate	1	38	B – 8 x 16	Hex. Bolt M8 x 16	4
18	MU07Y019A0	Fan Case	1	39	B – 8 x 20	Hex. Bolt M8 x 20	4
19	MU07Y020A0	Radiator Cover	1	40	B – 8 x 25	Hex. Bolt M8 x 25	4
20	PA6RDV482	Gear Pump	1	41	BH – 6 x 15	Hex. Bolt M6 x 15	6
21	QC – 03M	Coupler (Male)	1	42	BH – 6 x 35	Hex. Bolt M6 x 35	4

No.	Code	Description	Q'ty
43	BH – 6 x 50	Hex. Bolt M6 x 50	3
44	SH – 6 x 8	Hex. Screw M6 x 8	2
45	SH – 6 x 10	Hex. Screw M6 x 10	1
46	WS – 6	Washer M6	11
47	WS – 8	Washer M8	12
48	WS – 10	Washer M10	4
49	WP – 8	Washer	4
50	PR – 4 x 22	Spring Pin \varnothing 4 x 22	1
51	PR – 6 x 32	Spring Pin \varnothing 6 x 32	2

EXPLODED VIEW (III) MODEL UH103

3. Tank Block



PARTS LIST MODEL UH103 (III)

3. Tank Block

No.	Code	Description	Qty
1	MU07Z012A0	Lid	1
2	MU07Y021A0	Tank	1
3	1240 – 404	∅6 Washer	12
4	SFT – 06	Suction Filter	1
5	BM – 3/4	Breather Cap	1
6	LG – 100	Oil Level Gauge	1
7	RC – 04 – 30 – 15	Return Filter	1
8	03126 · 8 · - · 48 · - ·	Hydraulic Hose	1
9	MU07Z013A0	Elbow	1
10	B – 8 x20	Hex. Bolt M8 x 20	4
11	BG – 6 x 12	Hex. Bolt with Flange M6 x 10	12
12	BPQ – PT 3/8	Cube shape Screw	1
13	WS – 8	Washer	4
14	WP – 8	Washer	4
15	N1 – 8	Nut	4
16	L4N10 x 8 – PT1/4	Elbow	4