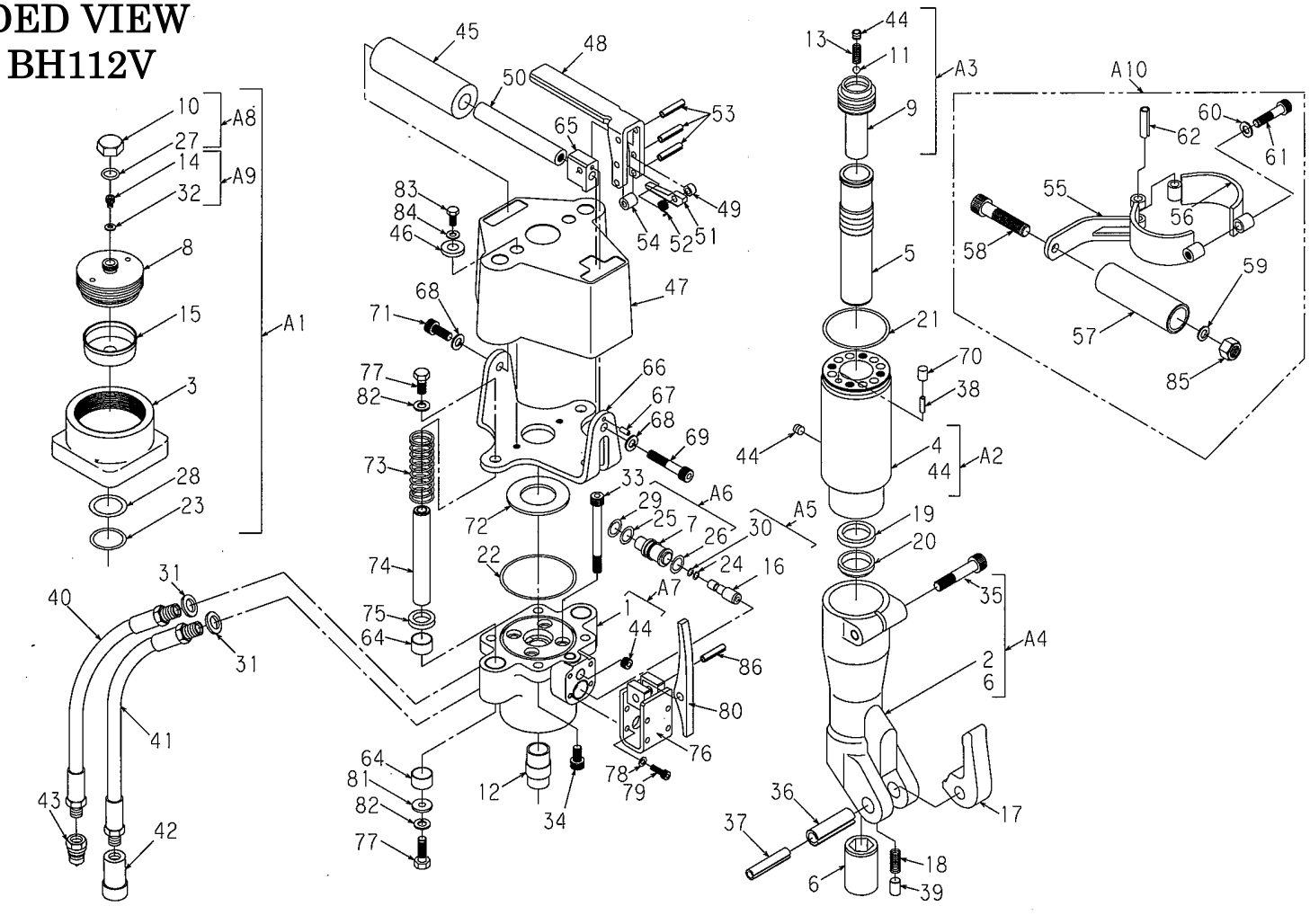


EXPLODED VIEW MODEL BH112V



PARTS LIST MODEL BH112V

No.	Code	Descriptions	Q'ty	No.	Code	Descriptions	Q'ty
1	MB28X009A	Valve Body	1	29	OBP – 14	Back Up Ring	1
2	M2LTC102A	Front End	1	30	OBP – 5	Back Up Ring	1
3	M2LTD103A	Shell	1	31	WS – 18	Seal Washer	2
4	M2LTD104B	Cylinder	1	32	WS – 16	Seal Washer	1
5	M2LTD125A	Piston (B)	1	33	BH – 8 x 80	Bolt	4
6	M2LTE107A	Chisel Bush	1	34	BH – 8 x 15	Bolt	4
7	M2LTE108A	Valve Guide	1	35	BH – 10 x 50	Bolt	1
8	M2LTE109A	Lid (S)	1	36	PR – 16 x 50	Pin	1
9	M2LTE124A	Inner Tube (B)	1	37	PR – 10 x 50	Pin	1
10	M2LTE115A	Cap	1	38	PR – 6 x 16	Pin	1
11	QB – 5/16	Steel Ball	1	39	MIKTE173A0	Lock Pin	1
12	MIXTE108A	Control Valve	1	40	21091 · 3 · 35 · ·	High pressure Hose	1
13	MIHTE107A	Spring (P)	1	41	21091 · 3 · 50 · ·	Low Pressure Hose	1
14	1120 – 413 – D	Cap Bolt	1	42			
15	MB02E006A	Diaphragm	1	43			
16	MIKTE111A	Valve Rod	1	44	BPH1 – PT1/8	Plug	10
17	1120 – 419 – A	Latch	1	45	1120 – 414	Handle Grip	1
18	1110 – 410 – 01	Lock Spring	1	46	MB19Z047A	Collar	2
19	IUIS – 30 – 40 – 6	U Cup Packing	1	47	MB28Y007A	Cover	1
20	DS-30385	Dust Seal	1	48	MB28Z006A	Control Lever	1
21	OG – 60	O Ring	1	49	AWSC – E – D12 – V6.5 – T5	Metal Washer	1
22	OS – 70	O Ring	1	50	1120 – 422	Grip Shaft	1
23	OP – 22	O Ring	1	51	MB28Z002A	Lever	1
24	OP – 5	O Ring	1	52	SAMINI – 7132	Spring	1
25	OP – 14	O Ring	1	53	PR – 6 x 28	Pin	4
26	OP – 12.5 (1B)	O Ring	1	54	FNCLCH – V6.5 – D20 – L16	Metal Collar	1
27	OS-22.4	O Ring	1	55	MB02E023B	Handle Stay(M)	1

28	OBP – 22	Back Up Ring	1	56	MB02E024B	Handle Stay (S)	1
No.	Code	Descriptions	Q'ty	No.	Code	Descriptions	Q'ty
57	1120 – 422	Grip Shaft	1	83	B – 6 x 12	Bolt	2
58	1120 – 414	Handle Grip	1	84	WS – 6	Washer	2
59	B – 8 x 16	Bolt	2				
60	WS – 8	Washer	2				
61	BH – 8 x 35	Bolt	1				
62	PR – 8 x 30	Pin	1				
63							
64							
65	MB28Z004A	Block	1				
66	MB28Y008A	Handle Stay	1				
67	PR – 4 x 10	Pin	1				
68	WS – 8	Washer	2				
69	BH – 8 x 45	Bolt	1				
70	MB26Z018A	Collar	1				
71	BH – 8 x 20	Bolt	1				
72	FRN1A3 – A60 – V34	Rubber Seat	2				
73	SAMINI – 5525	Spring	4				
74	MB28Z003A	Guide Pipe	2				
75	AWSC – E – D25 – V16.5 – T5	Metal Washer	1				
76	MB28Z001A	Cam Support	1				
77	B – 10 x 25	Bolt	4				
78	WS – 5	Washer	4				
79	BH – 5 x 15	Bolt	4				
80	MB28Z005A	Cam	1				
81	WSSB25 – 10 – 3	Metal Washer	2				
82	WS – 10	Washer	2				

No.	Code	Descriptions	Q'ty	
A1	M2LTZ501A	Accumulator Assy	1	3,8,10,14,15,23,27,28,32
A2	M2LTZ502A	Cylinder Assy	1	4,44
A3	M2LTZ503A	Inner Tube Assy	1	9,11,13,44
A4	M2LTZ505A	Front End Assy	1	2,6,35
A5	M1XTZ505A	Valve Rod Assy	1	16,24,30
A6	M2LTZ506A	Valve Guide Assy	1	7,25,26,29
A7	MB28Z012A	Valve Body Assy	1	1,44
A8	M2LTZ508A	Cap Nut Assy	1	10,27
A9	MB24Z509A	Cap Bolt Assy	1	14,32
A10	MB02E031A	Side Handle Assy	1	55,56,57,58,59,60,61,62
A11	M2LTZ511A	Seal Kit	1	19,20,21,22,23,24,25,26,27,28,29,30,31,32