

MARUZEN

HYDRAULIC HANDHELD BREAKER

MODEL BH23K

OPERATING MANUAL



CAUTION

FOR THE SAFETY PURPOSE, PLEASE READ THIS MANUAL THOROUGHLY BEFORE ATTEMPTING TO USE THIS BREAKER. ANY FALES OPERATING PROCEDURES WILL CAUSE DAMAGES TO THE MACHINE. ALWAYS KEEP THIS MANUAL TO AN EASILY ACCESSABLE PLACE.



MARUZEN KOGYO CO., LTD.

(Revised March 30, 2017)

FOREWORD

This manual is an important part of your equipment. It provides rules and guidelines which will help you use this machine safely and effectively. You **MUST** familiarize yourself with the functions and operations by reading the manual thoroughly before you begin using this machine. For your safety, it is especially important that you read and observe all precautions in this manual and labels on the machine. The precautions **MUST** be followed strictly at all times when performing operation and maintenance. * Fail to follow the guidelines and safety alerts in the manuals and on the machine, or use this machine in alternative ways from the manuals may result in system failure or serious personal injury.

Keep this manual with the equipment or in an easily accessible place in all times for future reference. Make sure all personnel involved in working on this machine can consult it periodically. In case this manual should be lost or damaged, immediately contact us or your dealer to purchase a new copy.

We recommend you always use Maruzen genuine components and parts. Replacing components and parts from other sources may cause damages to this machine and endanger operators.

MARUZEN KOGYO CO., LTD.
155-8 NAGABUSE, MISHIMA-SHI,
SHIZUOKA-KEN, 411-0824, JAPAN

CONTENTS

Safety Information.....	4 ~ 7
Safety Alert Classifications.....	4
Safety Alerts	5 ~ 7
Introductions	8
How To Adjust the Hammering Power.....	8
Specifications & Descriptions.....	9
Precaution Labels and Positions	10
Inspection before Each Operation.....	11
Guidelines	12 ~ 13
Operation.....	14 ~ 15
Daily Check Out.....	16
Periodically Inspection	16
Available Tools	16
Troubleshooting.....	17 ~ 18
Exploded View	19
Parts List.....	20 ~ 21

SAFETY INFORMATION

To enable you to use this machine safely, safety precautions and labels are given in this manual and affixed to the machine to give explanations of situations involving potential hazards and of the methods of avoiding such situations.

SAFETY ALERT CLASSIFICATIONS

The following safety alert symbols are used to inform you that there is a potential hazardous situation that may lead to personal injury or damage.

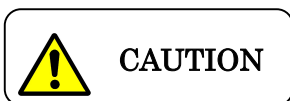
In this manual and on machines labels, the following safety alert symbol are used to express the potential level of hazard.



Indicates an imminently hazardous situation which, if not avoided, could result in death or serious injury.



Indicates a potentially hazardous situation which, if not avoided, could result in death or serious injury.



Indicates a potentially hazardous situation which, if not avoided, could result in minor or moderate injury.

**** Safety alert symbols are to emphasize all operation which, if not strictly followed, could result in a life-threatening situation, bodily injury or damage to equipment.**

SAFETY ALERTS

DO NOT OPERATE THE MACHINE UNLESS THE FOLLOWING SAFETY INSTRUCTIONS HAVE BEEN THOROUGHLY READ AND UNDERSTOOD!



WARNING

Before operating the equipment, be sure to wear personal protective equipments such as follows:

1. Helmet
2. Protective goggles
3. Protective boots
4. Safety gloves
5. Hearing Protection



WARNING

Do not operate the equipment if you are or if your

1. taking medication, feeling drowsy, feeling unwell or feeling tired.
2. under the influence of drugs or alcohol.
3. hands, feet, lower back or other parts of your body hurt or being injured.

* Failure to observe this precaution can result serious injury or even death.



CAUTION

Do not touch the machine with your bare hands

1. The oil tank may become hot under continuous running.
Do not touch the equipment with your bare hands.

2. Tools may become hot under continuous use, make sure to wear gloves before any contact with the tools.

* Failure to observe this precaution can result getting burned



CAUTION

When lending someone the equipment

Make sure the safety instructions have been thoroughly read and fully understood by the person who is going to use the equipment.



WARNING

Avoid Blank Hammering

Operating the equipment horizontally may cause the chisel's sudden flying out.

Excessive blank hammering may be considered equipment abuse and may cause equipment damage.

Failure to observe this precaution can result damage to the breaker.



WARNING

Never operate the breaker when bystanders are in the work area

1. Do not operate the breaker if any people are within the area where flying debris or movement of the breaker may injure them.
2. For preventing flying debris, make sure protection fences are being set up.

Failure to observe this precaution can result personal injury.



WARNING

Be special cautions to high pressure gas

1. High pressure gas was held inside the accumulator of the breaker.
2. Do not loosen the nut unless it is necessary for maintenance.

Failure to observe this precaution can result serious injury

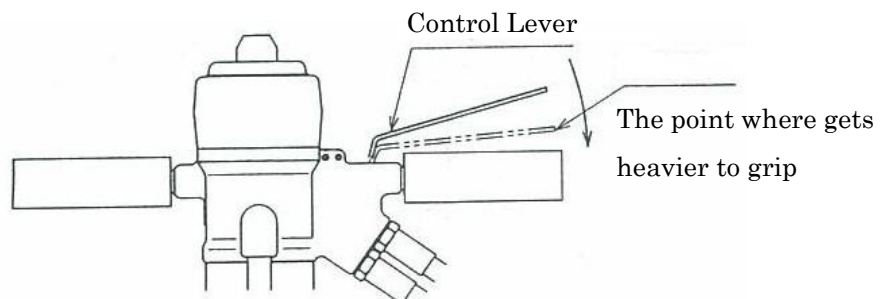
INTRODUCTION

1. This hydraulic breaker is designed to be used for the following purposes.
 - (1) Breaking concrete and asphalt
 - (2) Anchoring and pile driving
 - (3) Digging or breaking hard soil
 - (4) Compacting soil
 - (5) Cutting asphalt

2. **DO NOT** operate this breaker on the following situations:
 - (1) Drench part of the breaker or whole breaker into water or seawater.
 - (2) Connect with power source which its oil flow and pressure exceeds the range prescribed.
 - (3) Operating with oil temperature below 10°C or over 100°C.
 - (4) use tool which its shank size is different from prescribed
 - (5) Attach to other construction machinery.
 - (6) Use the equipment for purposes other than stated in this manual.

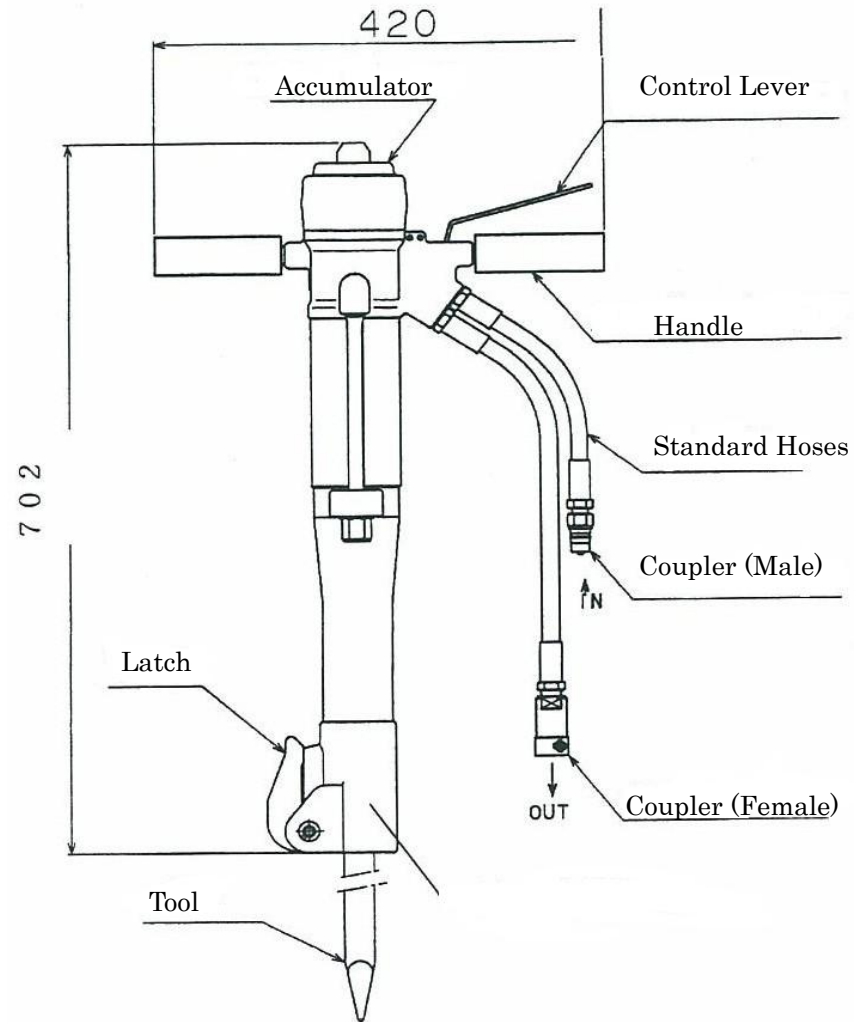
HOW TO ADJUST HAMMERING POWER

Grip the control lever gradually till the point which the control lever gets heavier to grip. This is the point where the breaker will start hammering feebly. It is advisory that you keep the control lever at the point until the moil point has stably fixed in one place of the target object (concrete and etc) When moil point has stably fixed in one place, grip the control lever firmly to hammer the target object strongly.

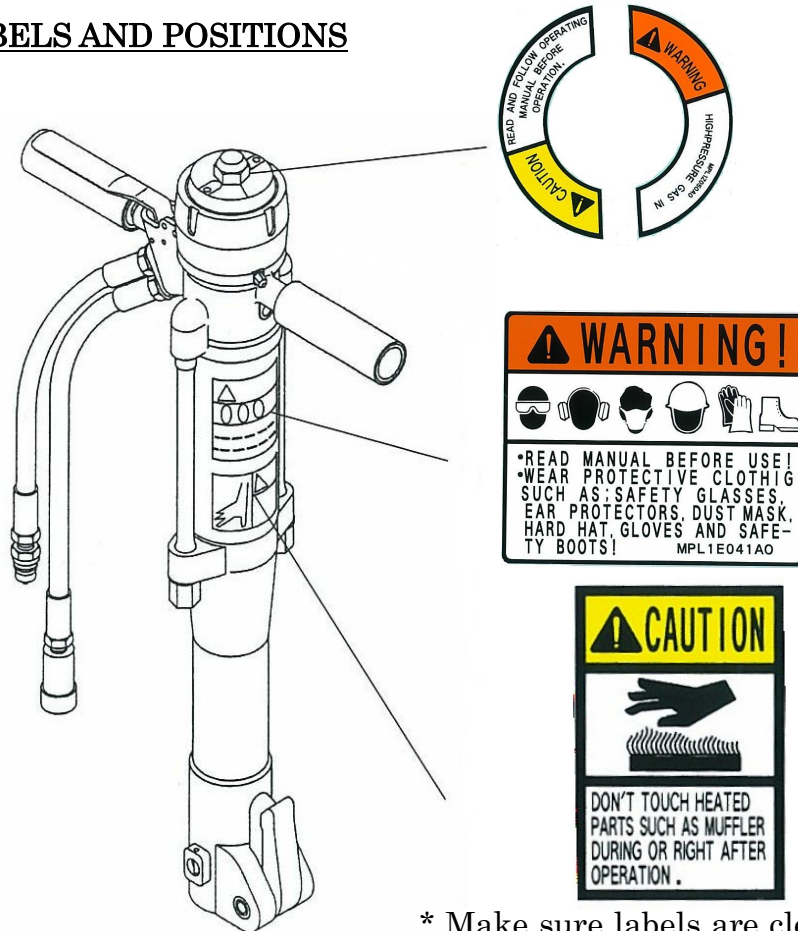


SPECIFICATIONS & DESCRIPTIONS

Overall Weight	24.8kg (Without tool)
Overall Dimensions	L702mm X W420mm
Working Pressure	8 ~ 11 MPa
Max. Pressure	20.6 MPa
Oil Flow	1000bpm
Shank Size	Hex. 1" x 108mm
Coupling	3/8" Couplers
Back Pressure	2.5MPa
Extension Hose	3/8" x 10m (with Power Unit)
Hydraulic oil	ISO VG32 or equivalent



PRECAUTION LABELS AND POSITIONS

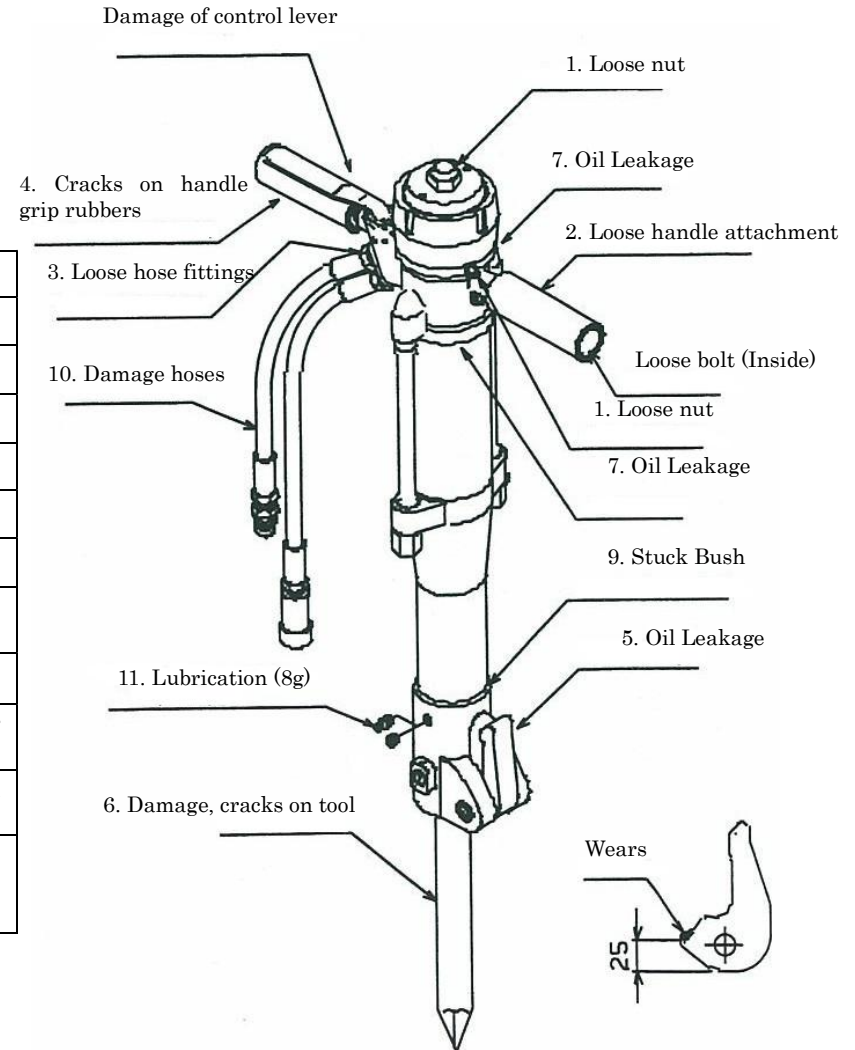


- * Make sure labels are clean legible at all time. Replace new one when they are illegible.

INSPECTIONS BEFORE EACH OPERATION

For the purpose of keeping the breaker in good condition, make sure the following inspection items are done each time before using. (Refer the drawing on the right)

Inspection Items	Countermeasures
1. Loose nut	Tighten the loosen nut
2. Loose handle attachment	Tighten handle attachment
3. Loose hose fittings	Tighten hose attachment
4. Cracks on handle grip rubbers	Replace new one
5. Wears found in latch	Replace new one
6. Damage, cracks on tool	Replace new one
7. Oil leakage	Ask your dealers for repair and maintenance
8. Damage of control lever	Replace a new one
9. Stuck Bush	When the bush gets stuck, clean or ask nearest dealers for repairs
10. Damage of hoses	When there is any damages on wire, replace a new one
11. Lubrication	Make sure the moving parts are lubricated. Use grease nipple to add lubrication oil. (8 g)



GUIDELINES

1. Always use Maruzen Genuine Tools. Use other than Maruzen genuine tools may cause breakage of tools which may lead to the damage of the breaker and personal injury.
2. Please consult with us when using power source other than UH070 Maruzen power pack.
3. When connecting and disconnecting couplers, make sure dirt, dust and other foreign substance does not enter or attach to couplers and hoses.
4. Make sure the power source is OFF when connecting the breaker to the power source. Or changing tools (Moil point etc)
5. Maruzen original tools are highly recommended. Consult your dealer for more specifics of tools.
6. If the oil temperature is below 10°C, warm up the breaker before start operating.



7. Pay attention to the followings while operating the breaker.
 - (1) Be cautious for not being injured by the front of the tool.
 - (2) Be cautious for not being tripped by the extension hoses.
 - (3) Make sure there are no obstacles at jobsite. (Be cautious not being tripped by obstacles while operating)
 - (4) While pulling out the breaker from the broken objects, be cautious for not being fall over.
 - (5) Make sure the breaker was placed in horizontally. Fail to place the breaker horizontally after operating can cause injury by sudden falling of the breaker.
 - (6) Be cautious not to injure your back while lifting the breaker.
8. In case of sudden hydraulic hose breakage and hydraulic oil belch out. STOP the power source IMMEDIATELY.
9. Replace new hoses when they are worn or when oil exudes from them.
10. When detach couplers, a small amount of oil may slip out. Make sure that surrounding area does not get dirty by oil.
11. When detach from power source, attach two hoses to each other.

12. When frequently attach and detach to the power source, hydraulic oil will decrease accordingly. Always make sure the hydraulic oil level before operating and refill if necessary.
13. After the operation, use tool to push up the piston.
14. If the oil temperature is below 10°C, warm up the breaker before start operating.
15. For long-term storage:
 - 1) Connect breaker to hydraulic power pack, insert any wood bar (∅20~25mm, L 350mm) into front end to push up piston to the end.
 - 2) Apply antirust on piston.
 - 3) Apply oil all over breaker with wet cloth. Cover it properly and make sure it is kept in a low humidity place.
 - 4) Remove plug on front end and attach grease nipple for applying grease.



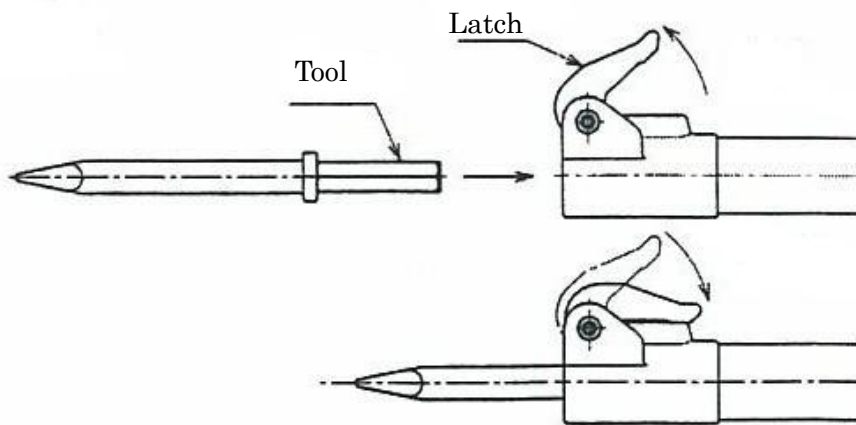
Immediately STOP the power source if the breaker does not stop after releasing the control lever. Ask Maruzen dealer for repair and service before the next operation.

OPERATION

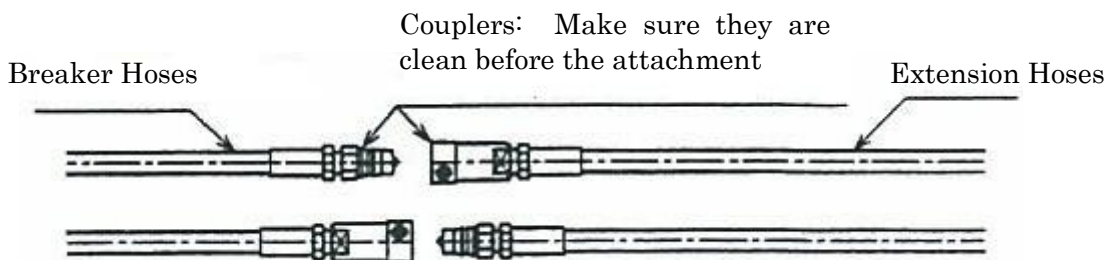
When connect this breaker to power source other than Maruzen UH070 power unit, make sure the power source you intend to use is within the range (oil flow, pressure etc) prescribed on page 9.

Preparation

1. Unlock the latch on the breaker and insert tool (moil point etc)
Turn around the tool(Hexagon tool) if it stuck on the half way of inserting.
2. Lock the latch. Make sure the tool is firmly fastened.



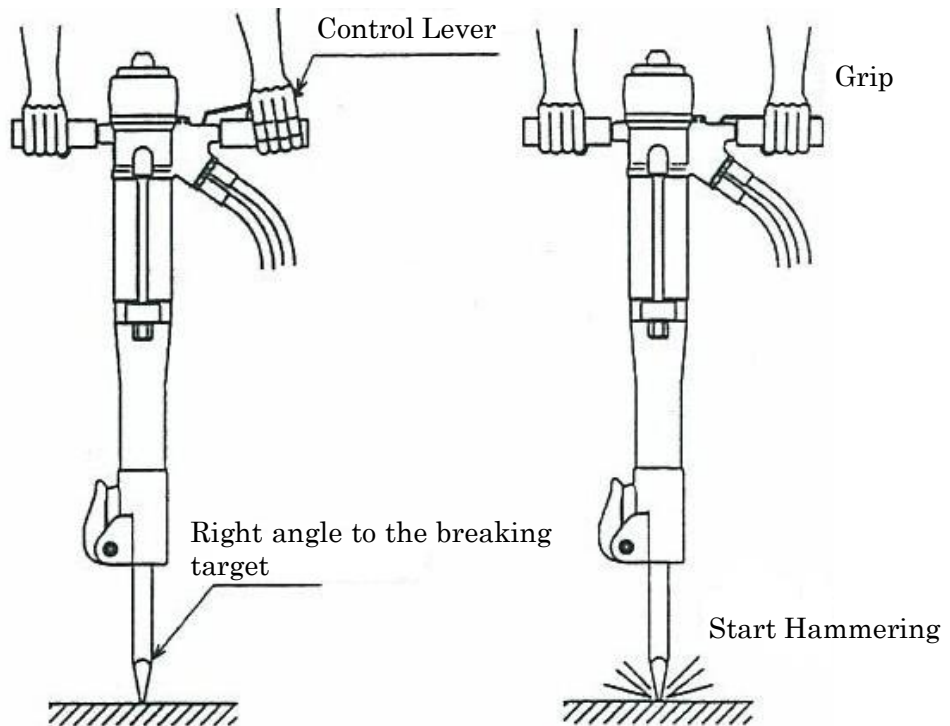
3. Make sure there is no dust or dirt inside couplers before connecting breaker to hydraulic power pack.



4. Active the power source. (Start the engine on the power pack)

Operation

5. The breaker and the breaking target should be on a right angle. Press down the breaker with your body weight. Grip the control lever and start hammering.



6. Do not hammer the same place for over 30 seconds. If the target object does not break within 30 seconds, change the hammering point.
7. Do not blank hammering for over 10 seconds.
8. Stop the power pack when the job has completed.
9. Push up the tool so the piston return to the position.
10. Detach the extension hoses.
11. Attach both couplers which are on the breaker together to prevent dust and dirt entering.
12. Unlock Latch, remove tool from the main body.
13. Remove mud and dirt on breaker thoroughly.

DAILY CHECK OUT

Check before each operation

1. Check if there is any oil leakage from hoses or breaker itself.
2. Check if there are any cracks or damage in tools.

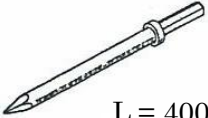
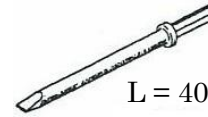
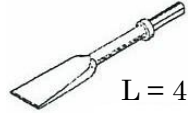
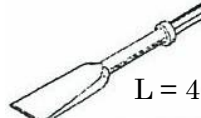

PERIODICAL INSPECTION

Ask your dealer for the periodical inspections.

Inspection Items	Operating Hours
Nitrogen gas charge in accumulator	300 hours or 1 Year
Replacement of accumulator diaphragm	500 hours or 2 years
Replacement of Valve Rod O ring	500 hours or 2 years
Replacement of U-cup packing	500 hours or 2 years
Replacement of each O Ring	Every 3 years
Wear of Movable Bush	Every 250 hours or every year
Grease Movable Bushy (8g)	Every 50 hours

* Accumulator Nitrogen gas pressure: 3.5MPa (35.7kgf/cm²)

AVAILABLE TOOLS

MOIL POINT	 L = 400mm	For Breaking
CONCRETE CHISEL	 L = 400mm	For Breaking
ASPHALT CHISEL	 L = 400mm	For Cutting Asphalt
SHOVEL	 L = 400mm	For Digging Hard Soil
TAMPING RAMMER	 L = 400mm	For Compacting Soil and Sand

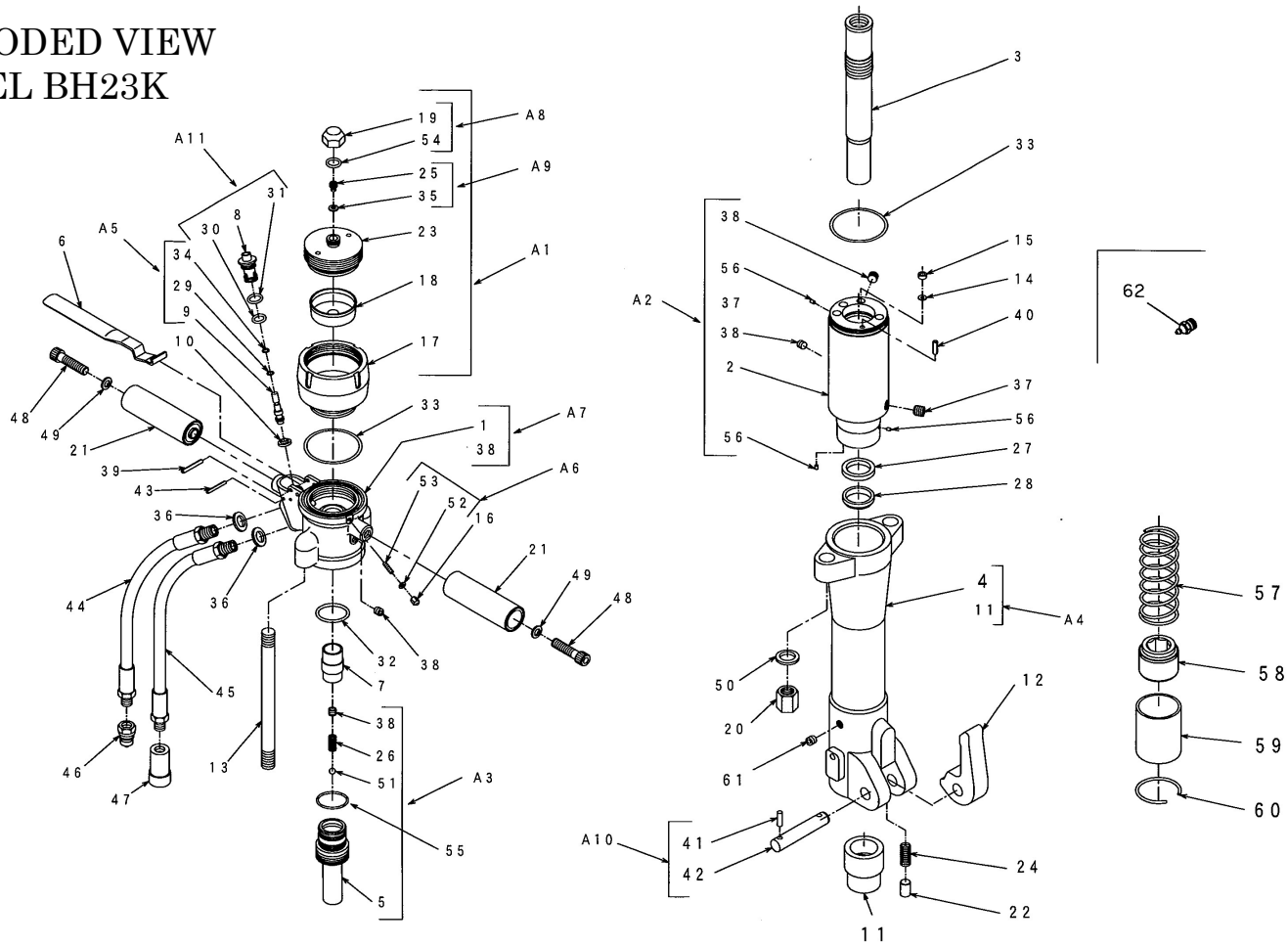
TROUBLE SHOOTING

Symptoms	Causes	Countermeasures
Grip the control lever but does not start	<ol style="list-style-type: none"> 1. Power source is off (Switch lever is in OFF position) 2. Hoses are not connected 3. Couplers are not connected properly 4. Relief valve pressure is set too low 5. Damage of control valve 6. Control valve is stuck by foreign substances 7. High pressure side and oil return side was connected inversely 	<ol style="list-style-type: none"> 1. Start the power source (Turn the switch lever to On position) 2. Connect hoses 3. Check out if all the couplers have been connected properly 4. Adjust pressure to 140~210kgf/cm² (13.7~20.6MPa) * 5. Replace a new control valve * 6. Disassemble breaker, clean and remove dirt and dust between control valve and valve body * 7. High pressure hoses is connected to the upper side of the breaker
Functioning but weak hammering or low hammering speed	<ol style="list-style-type: none"> 1. Low rate of oil flow from power source 2. Pressure in relief valve in power source is set too low 3. Control valve does not function properly 4. Back pressure is too high 	<ol style="list-style-type: none"> 1. Turn the engine rotation rate up and increase the rate of oil flow (Adjust oil flow to the necessary rate) 2. Check displacement of hydraulic pump* 3. Adjust pressure to the range of 11.7~20.6MPa) *Remove and clean the joint of control valve and valve body * 4. Use widen or shorter hose on the oil

	5. Moveable Bush got stuck	returned side to lower the back pressure to 2.5MPa or under. 5. Disassemble and clean the breaker*
Hammering in normal speed, but weak hammering	1. Low accumulator gas pressure 2. Damage of accumulator diaphragm 3. Temperature of hydraulic oil is abnormally high.	1. Refill Nitrogen gas 35.7kgf/cm ² (3.5MPa) * 2. Replace diaphragm * 3. Check power source. Clean radiator and fan
Strong hammering and in high speed	1. High rate of oil flow	1. Turn the engine rotation rate down to decrease the rate of oil flow (Adjust oil flow to the right range)
The breaker stops hammering during operation	1. Couplers are not connected 2. Damage of control valve	1. Check each connected parts 2. Replace a control valve *
Oil leakage from control lever	1. Damage, wear or harden of O ring	1. Replace O ring *
Profuse Oil leakage from front end	1. Damage of U cup packing 2. Damage of U cup packing due to the scratch of piston rod.	1. Replace U cup packing * 2. Replace U cup packing, remove the scratch on piston rod *
Latch is nearly coming off	1. Damage of lock spring 2. Wear of latch	1. Replace lock spring * 2. Replace latch *
High pressure hose shakes intensely	1. Damage of accumulator diaphragm	1. Replace diaphragm *
Release the control valve but the breaker does not stop	1. Foreign substance is caught in the valve rod	1. Disassemble, clean and adjust *

For items with *, ask Maruzen dealers for service and maintenance.

EXPLODED VIEW MODEL BH23K



PARTS LIST
MODEL BH23K

No.	Code	Descriptions	Q'ty	No.	Code	Descriptions	Q'ty
*1	MB20X001B	Valve Body	1	28	LBI35.5,43.5,5,6.5	Dust Seal	1
*2	MB20Y002A	Cylinder	1	29	OP – 5	O Ring	1
3	MB20Y019A	Piston	1	30	OP – 14	O Ring	1
*4	MB24X038B	Front End K	1	31	OP – 16	O Ring	1
*5	MB20Y005A	Inner Tube	1	32	OP – 38	O Ring	1
6	MB20Z109A	Control Lever	1	33	OG – 75	O Ring	2
7	MB24Z008A	Control Valve	1	34	OBP – 5	O Ring	1
*8	MB20Z008A	Valve Guide	1	35	WS-06<<<<<<<<<<BH	Seal Washer	1
*9	MB20Z009A	Valve Rod	1	36	WS-18<<<<<<<<<<BH	Seal Washer	2
10	MB20Z010A	Bush	1	37	BPH1 – PT 1/4	Plug	1
11	MB24Z014A	Chisel Bushing	1	38	BPH1 – PT 1/8	Plug	7
12	MB24Z036A	Latch F	1	39	PR – 5 x 36	Pin	2
13	MB20Z013A	Draw Bolt	2	40	PR – 6 x 20	Pin	1
14	MB20Z014A	Orifice (4.5)	1	41	PG-6 x 26 (YAKIIRE)	Pin	2
15	MB20Z015A	Spacer	1	*42	MB24Z040B	Pin F	1
16	MB24Z035A	Hexagon Cap Nut	1	43	PR – 4 x 36	Pin	2
17	MIKTD105A	Shell	1	44	21091 · 3-35--	Hose	1
18	MIKTE106A	Diaphragm with Metal Sheet	1	45	21091 · 3-50--	Hose	1
*19	MIKTE108A	Cap Nut	1	46	QC – 03M	Coupler (Male)	1
20	MIKTE115A	Nut (M18)	2	47	QC – 03F	Coupler (Female)	1
21	MIKTE119A	Handle Grip	2	48	BH – 12 x 50	Bolt	2
22	MIKTE173A	Lock Pin	1	49	WF – 12 – 2L	Washer	2
23	MIKTE107A	Lid	1	50	WF-18 2L JISB1252	Washer	2
24	MB20Z108A	Lock Spring	1	51	QB – 5/16"	Steel Ball	1
*25	1120 – 413	Cap Bolt	1	52	WS-06<<<<<<<<<<BH	Seal Washer	1
26	MIHTE107A	Spring (P)	1	*53	SH-6x20 (TOGARISAKI)	Screw	1
27	IUIS35.5,45,6	U Cup Packing	1	54	OS – 22.4	O Ring	1

PARTS LIST
MODEL BH23K

	Code	Descriptions	Q'ty
55	CO-6134	O Ring	1
56	MB850-040	Expander	3
57	MB24Z025A	Spring	1
58	MB24Z015A	Movable Bush	1
59	MB24Z017A	Sleeve	1
60	MB24Z022A	Ring R	1
61	BPH1-PT1/8	Taper Plug, Hex SocketPT1/8	1
62	GN-01	Grease Nipple PT 1/8	1

A1	M1KTZ190A	Accumulator Assy	17, 18, 19, 23, 25, 35, 54	1
A2	MB20Z502A0	Cylinder Assy	2, 37, 38(3), 56(3)	1
A3	MB20Z503A0	Inner Tube Assy	5, 26, 38, 51	1
A4	MB24Z513A0	Front End K Assy	4,11	1
A5	MB20Z505A0	Valve Rod Assy	9, 29, 34	1
A6	MB24Z506A0	Screw Assy	52, 53	1
A7	MB20Z507A0	Valve Body Assy	1, 38(3)	1
A8	MB24Z508A0	Cap Nut Assy	19, 54	1
A9	MB24Z509A0	Cap Bolt Assy	25, 35	1
A10	MB24Z510A0	Pin F Assy	41, 42	1
A11	MB20Z511A0	Valve Guide Assy	8, 30, 31	1
A12	MB20Z512A0	Seal Kit	27, 28, 29, 30, 31, 32, 33(2), 34, 35, 36(2), 52, 54, 55	1
A13	MB24Y512A	Front End Full Assy	4,11,12,22,24,41(2),42,57,58,59,60	1