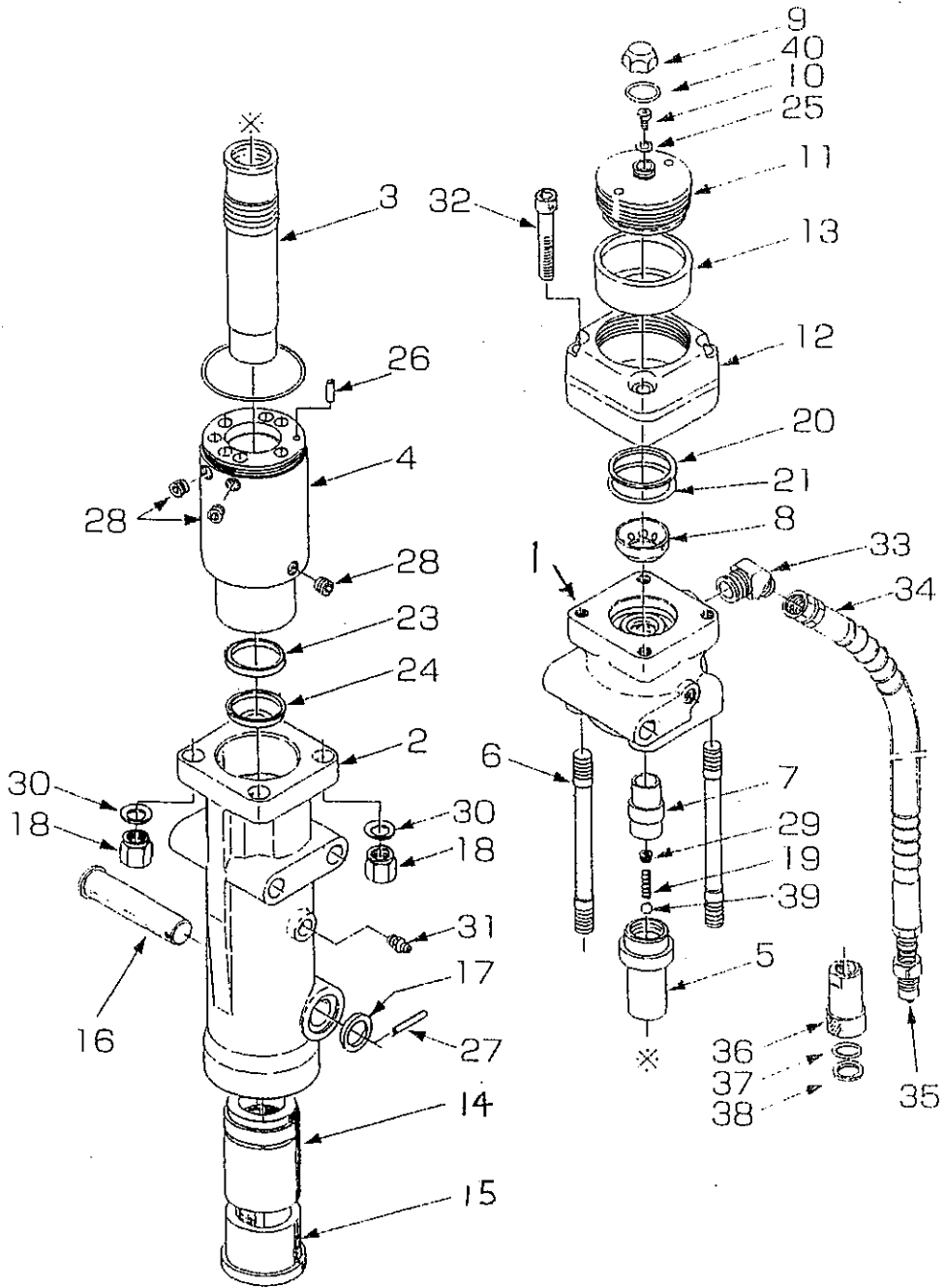


PARTS LIST

(Main Body)

No.	Parts No.	Parts Name	Q'ty.
1	MB09C001A	VALVE BODY	1
2	MB09C002A	FRONT END	1
3	MB09D003A	PISTON (D)	1
4	MB09D004A	CYLINDER (C)	1
5	MB04E113A	INNER TUBE (C)	1
6	MB04E108A	DRAW BOLT	4
7	MB04E131A	CONTROL VALVE (D)	1
8	MB04E123A	RING	1
9	MIKTE108A	CAP NUT	1
10	1120-413	CAP BOLT	1
11	1110-420-01	LID	1
12	1110-310-01	SHELL	1
13	1110-421	DIAPHRAGM	1
14	1131-403-01	BUSH (A)	1
15	1131-417	BUSH (C)	1
16	1131-406	RETAINER PIN	1
17	1131-405-00	WASHER	1
18	1131-430	NUT (M16)	4
19	MIHTE107A	SPRING (P)	1
20	OBG-50	BACK UP RING	1
21	OG-50	O-RING	1
22	OG-80	O-RING	1
23	IUIS-40-50-6	U-CUP PACKING	1
24	DS-4048565	DUST SEAL	1
25	WS-06	SEAL WASHER	1
26	PR-6*20	PIN	1
27	PR-6*36	PIN	1
28	BPH1-PT1/4	PLUG	7
29	BPH1-PT1/8	PLUG	1
30	WF-16-2L(JISB1252)	WASHER	4
31	A-PT1/8	GREASE NIPPLE	1
32	BH-12*70	BOLT	4
33	1036-08	ADAPTER	2
34	HH-0815	HIGH PRESSURE HOSE	2
35	QC-03M	QUICK COUPLER (MALE)	1
36	QC-03F	QUICK COUPLER (FEMALE)	1
37	OP-03S	O-RING	1
38	OBP-03S	BACK UP RING	1
39	QB-5/16	STEEL BALL	1
40	OS-22.4	O-RING	1

Parts View



(Bracket)

No.	Parts No.	Parts Name	Q'ty.
1	MB09C005A	BRACKET	1
2	MB09E007A	BOLT	3
3		BUSH	4
4	MOSTE131A	PIN	2
5	WF18-1L	WASHER	6
6	WS-8	WASHER	2
7	B-8*15	BOLT	2
8	A-PT1/8	GREASE NIPPLE	2
9	N1-18	NUT	3

Parts View

