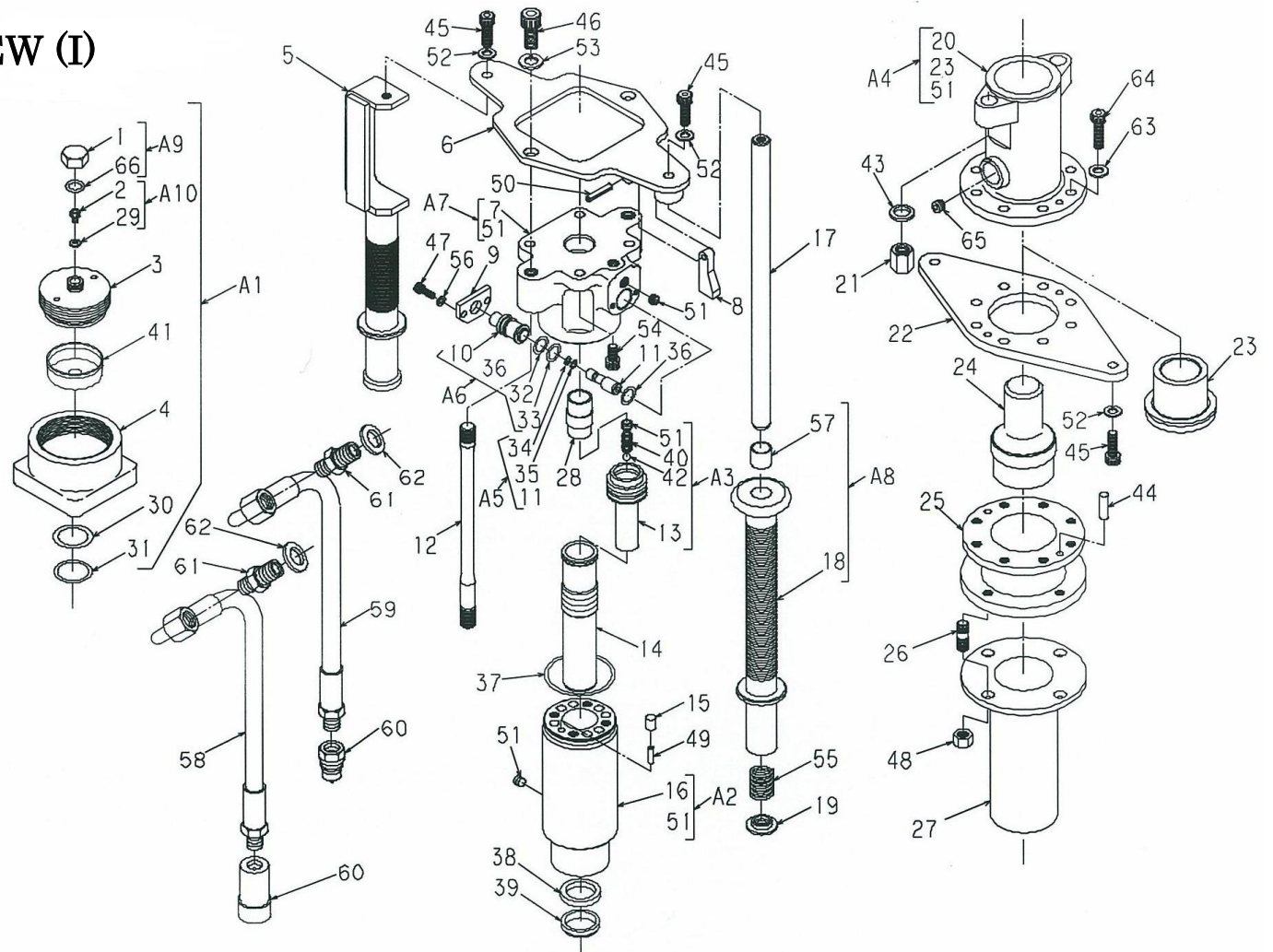


EXPLODED VIEW (I) MODEL KH150



PARTS LIST MODEL KH150

No.	Code	Descriptions	Q'ty	No.	Code	Descriptions	Q'ty
1	M2LTE115A	Cap	1	25	MB26Y009A	Anvil Holder	1
2	1120 – 413 – D	Cap Bolt	1	26	MB26Z013A	Bolt	4
3	M2LTE109A	Lid (S)	1	27	MB26Z020A	Post Cover	1
4	M2LTD103A	Shell	1	28	MIXTE108A	Control Valve	1
5	MB26Y002A	Handle Pipe	1	29	WS – 06<<<<<<<<<<<<BH	Seal Washer	1
6	MB26Y005A	Top Plate	1	30	OBP – 22	Back Up Ring	1
7	MB26X012A	Valve Body	1	31	OP – 22	O Ring	1
8	MB08Z015A	Cam	1	32	OBP – 14	Back Up Ring	1
9	MB26Z010A	Plate	1	33	OP – 14	O Ring	1
10	M2LTE108A	Valve Guide	1	34	OBP – 5	Back Up Ring	1
11	MIKTE111A	Valve Rod	1	35	OP – 5	O Ring	1
12	MB26Z001A	Draw Bolt	2	36	OP – 12.5 (1B)	O Ring	1
13	M2LTE124A	Inner Tube	1	37	OG – 60	O Ring	1
14	M2LTD125A	Piston (B)	1	38	IUIS – 30 – 40 – 6	U Cup Packing	1
15	MB26Z018A	Collar	1	39	DS – 30385	Dust Seal	1
16	M2LTD104B	Cylinder	1	40	MIHTE107A	Spring (P)	1
17	MB26Z004A	Handle Shaft	1	41	MB02E006A	Diaphragm	1
18	MB26Z003A	Handle Grip	1	42	QB – 5/16	Steel Ball	1
19	MB26Z006A	Spring Stay	1	43	WF – 14 – 2L(JIS B1252)	Spring Washer	2
20	MB26Y016B	Front Cap	1	44	PFB – 6 x 18 (YAKIIRE)	Pin	2
21	1120 – 423	Nut	2	45	BH – 8 x 25	Bolt	4
22	MB26Y007A	Flange	1	46	BH – 12 x 25	Bolt	2
23	MB26Z014A	Chisel Bush	1	47	BH – 5 x 12	Bolt	2
24	MB26Z008A	Anvil	1	48	NFL – 10	Lock Nut	4

No.	Code	Descriptions	Q'ty
49	PR – 6 x 16	Pin	1
50	PR – 5 x 30	Pin	1
51	BPH1 – PT 1/8	Plug	11
52	WS – 8	Washer	8
53	WS – 12	Washer	2
54	BH – 8 x 15	Bolt	4
55	SAWANE – 5549	Spring	1
56	WS – 5	Washer	2
57	DB – MB1615DU	DU Bush	1
58	21091 • 8 – 50 –	Low Pressure Hose	1
59	21091 • 8 – 45 –	High Pressure Hose	1
60	QC – 03	Coupler	1
61	AJ – 1011 – 06	Adaptor	2
62	WS – 18<<<<<<<<<<BH	Seal Washer	2
63	WF – 8 (2 – L)	Washer	8
64	BH – 8 x 30	Bolt	8
65	BPH1 – PT1/8	Plug	1
66	OS – 22.4	O Ring	1

No.	Code	Descriptions	Q'ty	
A1	M2LTZ501A	Accumulator Assy	1	1,2,3,4,28,29,30,31,41
A2	M2LTZ502A	Cylinder Assy	1	16,51
A3	M2LTZ503A	Inner Tube Assy	1	13,40,42,51
A4	MB26Z026B	Front Cap Assy	1	20,23,51
A5	M1XTZ505A	Valve Rod Assy	1	11,34,35
A6	M2LTZ506A	Valve Guide Assy	1	10,32,33,36
A7	MB26Z029A	Valve Body Assy	1	7,51
A8	MB26Z030A	Handle Grip Assy	1	18,57
A9	M2LTZ508A	Cap Nut Assy	1	1,66
A10	MB24Z509A	Cap Bolt Assy	1	2,29