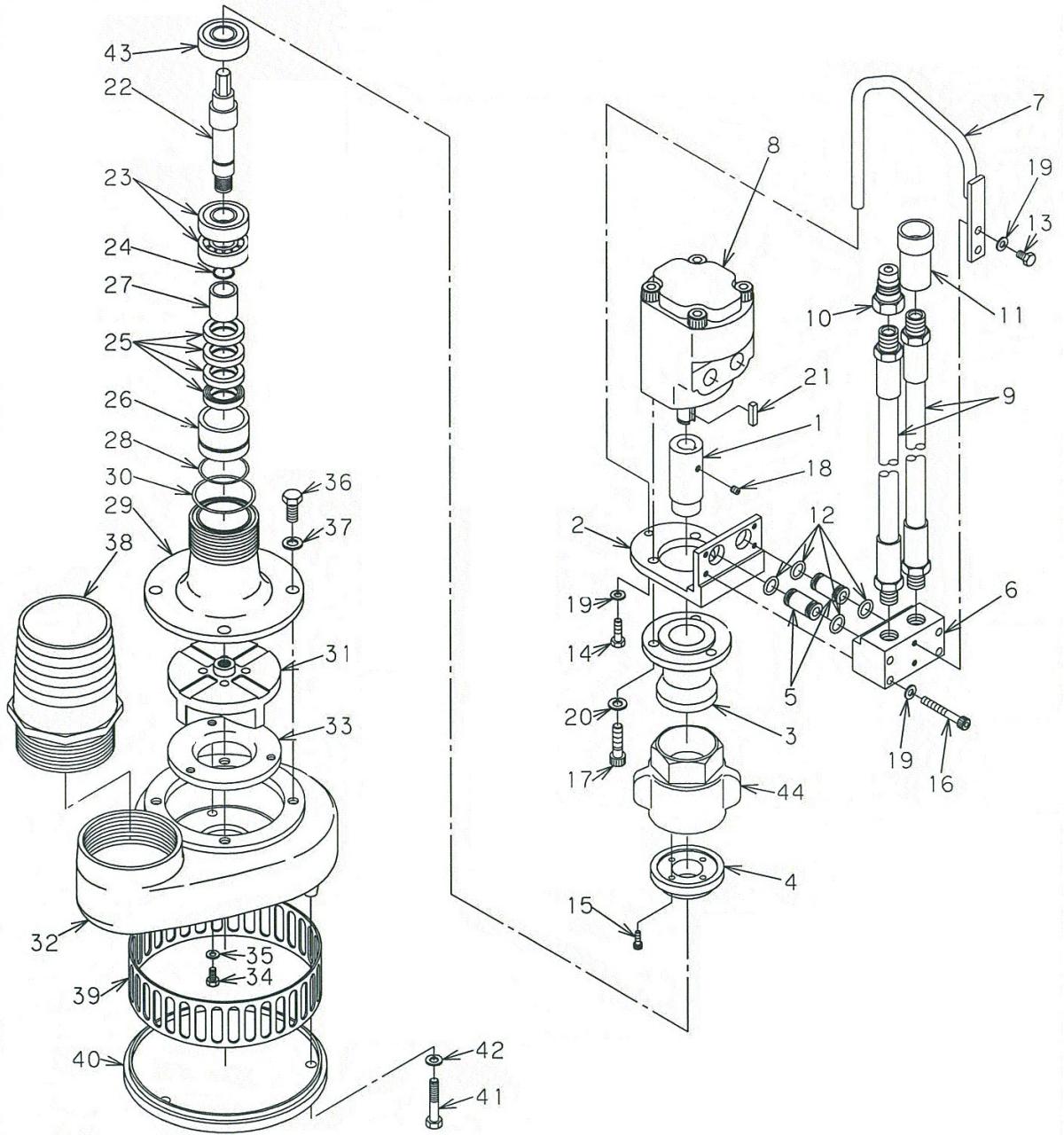


EXPLODED VIEW MODEL PH300



PARTS LIST MODEL PH300

NO.	CODE	DESCRIPTION	Q'TY	NO.	CODE	DESCRIPTION	Q'TY
1	MW01Z001A	DRIVE JOINT	1	23	0410-06204	BEARING 6204Z	2
2	MW01Z002A	MOTOR BRACKET	1	24	0509-10170	O RING JASO1017	1
3	MW01Z003B	CASE	1	25	0602-02020	OIL SEAL SC-25387	4
4	MW01Z004B	JOINT GUIDE	1	26	7014-14590	HOLDER, OIL SEAL	1
5	MW01Z005A	OIL TUBE	2	27	7010-10010	INNER LACE FIR202530	1
6	MW01Z006A	MANIFOLD	1	28	0503-00440	O RING S-44	1
7	MW01Y007A	HANDLE	1	29	7013-39720	BEARING CASE	1
8	GMM-B60R	HYDRAULIC MOTOR	1	30	0501-00500	O RING G-50	1
9	21091·1-- 50 --	HYDRAULIC HOSE	2	31	7013-22410	IMPELLER	1
10	QC-03M	COUPLER (MALE)	1	32	7011-16180	CASING	1
11	QC-03F	COUPLER (FEMALE)	1	33	7014-06140	SIDE PLATE	1
12	OP-11	O RING	4	34	0012-40612	BOLT 6 X 12 U	3
13	B - 6 X 12 (SUS)	BOLT	2	35	0302-06150	SW M6	3
14	B - 6 X 20 (SUS)	BOLT	1	36	0012-41025	BOLT 10 X 25 U	4
15	BH - 6 X 12 (SUS)	BOLT	4	37	0302-10250	SW M10	4
16	BH - 6 X 45 (SUS)	BOLT	4	38	7010-10021	DELIVERY PIPE (P)	1
17	BH - 8 X 30 (SUS)	BOLT	3	39	7013-16930	FILTER	1
18	SH - 4 X 4 (SUS)	SCREW	1	40	7013-09040	FILTER COVER	1
19	WS - 6 (SUS)	SPRING WASHER	7	41	0012-40845	BOLT 8 X 45 U	3
20	WS - 8 (SUS)	SPRING WASHER	3	42	0302-08200	SW M8	3
21	C201 - 5 X 5 X 20	KEY	1	43	0425-06204	BEARING 6204ZZSG	1
22	7014 - 54180	IMPELLER SHIFT	1	44	7013-04480	LOCK NUT	1