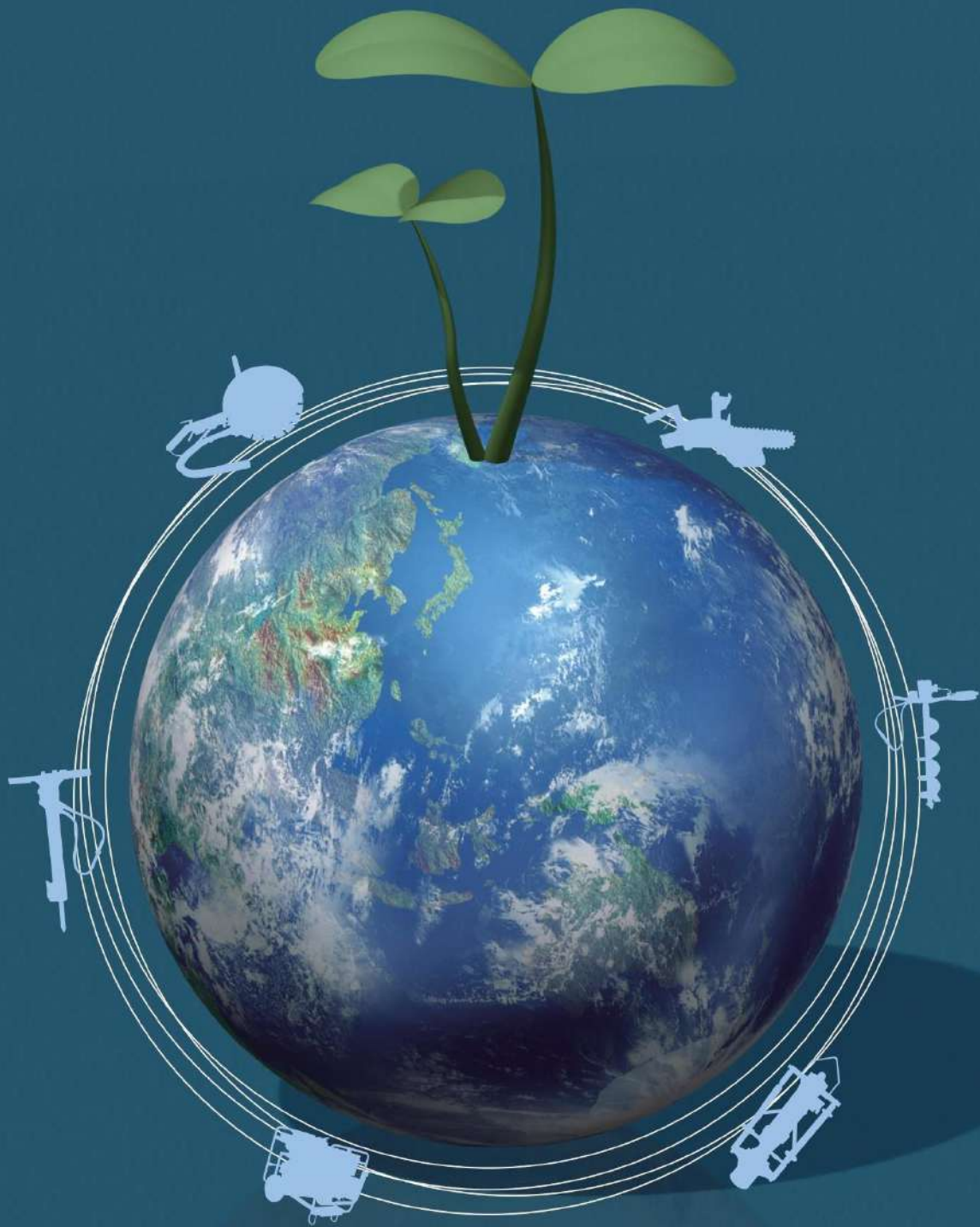



 **MARUZEN**



GENERAL CATALOG

 **MARUZEN KOGYO CO., LTD.**



By the requests and collaboration with our customers such as KOMATSU, KUBOTA, AICHI etc., we are very proud that we have been able to supply high quality and trustable tools and machines to all over the world.

*We, Maruzen promise to "Create" for years to come !
For the customers and for the future !*

COOPERATE MISSION STATEMENT

1. To ensure all those related to our company are satisfied and happy both mentally and physically.
2. For MARUZEN to exist forever.
3. To ensure MARUZEN constantly innovates and creates in the tradition of our founder.
4. To utilize and foster the interchange of ideals and peoples of all the world which have been conducted since 1967.
5. To continuously strive to be No.1 in all our endeavors, not accepting less.

Declining birthrate and an aging population in Japan and warming of the earth, growth of population, food crisis and ethnic dispute or religious conflict etc. in the world, we have a bunch of very real problems in this 21 century.

This makes our social structure change rapidly to the direction which will be difficult to predict but we believe our mission statement is foundation of our business and invariant even though our social structure changes.

Based on this concept, I manage MARUZEN KOGYO CO., LTD.

**YUKIO SUWABE
C.E.O.**

COMPANY PROFILE

Proud on Japanese Made !

Name MARUZEN KOGYO CO., LTD.
 Address 155-8, Nagabuse Mishima Shi,
 Shizuoka Ken 411-0824, Japan
 Tel/ Fax 81-55-977-2140 / 81-55-977-2184
 President Yukio Suwabe
 Exp. Manager Kazunobu Murofushi
 Main Customers Komatsu, Kubota, Aichi



Our goal is to be a total development company based on the sprit of our company "CREATION" and "INNOVATION"

Our Three Main Business:

Construction Machines:

We have been supplied high quality Japanese made construction products for a lot of customers all over the world.

We have 10 branches and 17 service shops in Japan and sales/service partners in the world.

Main items: Hydraulic handheld tools, rig-mounted hydraulic machines, gas driven portable machines etc.



Car Inspection Machines:

Our variety of speed / brake testers have been used in the service shops of Toyota, Nissan, Mitsubishi etc. not only in Japan but also in all over the world for over 50 years.



Packing & Strapping Machines:

We have supplied a variety of quality strapping machines, packing machines for newspaper publishing companies, post offices, manufacturers, commercial plants for over 50 years.



POWER UNIT

UH070



FEATURES:

- 1.Compact and light weight but powerful.
- 2.Easy to carry anywhere you need it.

Model	UH070
Dimensions (mm/in)	615×480×590 (25×19×24)
Weight (kg/lbs)	40 (89)
Oil Flow (L (Gal) /min)	20.5 (5)
Max Pressure (Mpa)	11.7
Engine	Honda GX200
Hyd. Hose	Option



UH130



FEATURES:

Very tough and high power with 20-30L/140 bar variable power unit.

Model	UH130
Dimensions (mm/in)	800×590×750 (31×23×30)
Weight (kg/lbs)	102 (225)
Oil Flow (L (Gal) /min)	20.5-30 (5-8)
Max Pressure (Mpa)	13.7
Engine	Honda GX390
Hyd. Hose	Option

ROCK DRILL

For Drilling Concrete and Rock



DH204



DH205

Anti-vibration handle model



FEATURES:

1. Built-in compressor eliminates need for water or air source
2. Rotation speed and impact power are adjustable by selector.
3. Low noise and dust free hydraulic mechanism
4. Hammer only mode available

Model	DH204	DH205
Dimensions (mm/in)	626×412 (25×17)	692×410 (27×16)
Weight (kg/lbs)	20 (44)	22 (49)
Oil flow (L (Gal)/min)	20-25 (5-6)	
BPM	1000-1350	
Shank size (hex mm/in)	22×108 (7/8×4-1/4)	

HAND BREAKER

For Finishing, Light Works to Heavy Duty Works !
Full Line Up of Our Hydraulic Standard Hand Breakers



FEATURES:

1. Excellent breaking power than any other gas, electric or pneumatic breakers in the same class..
2. High quality and durability
3. Easy maintenance
4. Low noise and vibration.

Optional Tools



Standard Models

Model	BH051	BH112	BH163	BH18K	BH23K
Dimensions (mm/in)	428×176 (17×7)	556×156 (22×7)	604×412 (24×17)	622×412 (24-1/2×17)	702×420 (28×17)
Net weight (kg/lbs)	6.6 (15)	11 (24)	16 (35)	18 (39)	24 (52)
Oil flow (L (Gal)/min)	20 (5)	9-25 (2-6)	14-28 (3-7)	14-28 (3-7)	20.5 (5)
B.P.M.	2800	1500-2200	1200-2000	1700	1050
Shank size (hex mm /in)	19×50 (3/4×2)	22×83 (7/8×3-1/4)	25×108 (1×4-1/4)	25×108 (1×4-1/4)	25×108 (1×4-1/4)
Impact power (J)	15	53	73	91	113

New Line Up!



BH20EV
Anti-Vibration +
Anti-Bouncing Model



BH16VS
Low Noise,
Anti-Vibration Model

Model	BH20EV
Dimensions (mm/in)	665×410 (26×16-1/8)
Net weight (kg/lbs)	20.5 (45)
Oil flow (L (Gal)/min)	20.5 (5)
B.P.M.	1450
Shank size (hex mm /in)	25×108 (1×4-1/4)
Impact power (J)	91
Vibration Level (m/sec ²)	8.56

Model	BH16VS
Dimensions (mm/in)	678×410 (27×16-1/8)
Net weight (kg/lbs)	19 (42)
Oil flow (L (Gal)/min)	20.5 (5)
B.P.M.	1450
Shank size (hex mm /in)	25×108 (1×4-1/4)
Impact power (J)	73
Vibration Level (m/sec ²)	8.4

Anti-Vibration Models



BH051V



BH112V



BH161V



SHANK SIZE
▶1" (25.4mm)
▶1-1/8" (28mm)
AVAILABLE

BH23K32EV
Anti-Bouncing Models

Model	BH051V	BH112V	BH161V	BH23K32EV
Dimensions (mm/in)	443×165 (17-1/2×6-1/2)	573×165 (22-1/2×6-1/2)	660×410 (26×16-1/8)	752×429 (29×16-7/8)
Net weight (kg/lbs)	6 (13)	13 (28)	17.3 (38)	25 (55.2)
Oil flow (L (Gal)/min)	20 (5)	9-25 (2-6)	14-28 (3-7)	20 or 30 (5 or 8)
B.P.M. at 20L	2700	1450	1650	1050
Shank size (hex mm /in)	19×50 (3/4×2)	22×83 (7/8×3-1/4)	25×108 (1×4-1/4)	32×160 (1-1/4×6-1/4)
Impact power (J)	15	53	73	113
Vibration Level (m/sec ²)	6.5	6.2	8.56	5.1

PILE DRIVER

For Break-through the Hard Work of Piling



Model	KH192	KH240V
Dimensions (mm/in)	598×273 (24×11)	629×265 (25×11)
Weight (kg/lbs)	20 (45)	24.5 (54)
Oil flow (L (Gal)/min)	15-22 (3-5)	18-22 (4-5)
BPM	1920	1080
Max pile dia (mm/in)	50 (2)	80 (3-3/16)

KH192/ KH240V FEATURES:

1. Light weight but powerful drivers.
2. Max 120mm (4-3/4") pile can be driven (with optional caps (standard dia. 80mm (3-3/16"))



Model	KH800
Dimensions (mm/in)	850×364×302 (33×14×12)
Weight (kg/lbs)	110 (242)
Oil flow (L (Gal)/min)	20-35 (5-9)
BPM	500-950
Max pile dia (mm/in)	150 (6)

KH800 FEATURES:

1. High power. Suitable for driving large dia pile or guard pipe.
2. Can be used using the PTO of crane, excavator etc.
3. By changing the adaptor, driving of H steel (100,150 sq) is also possible.

LONG REACH CHAINSAW

For Trimming Trees And Clearing Utility Line!
Insulation Fiberglass Pipe



PSH190



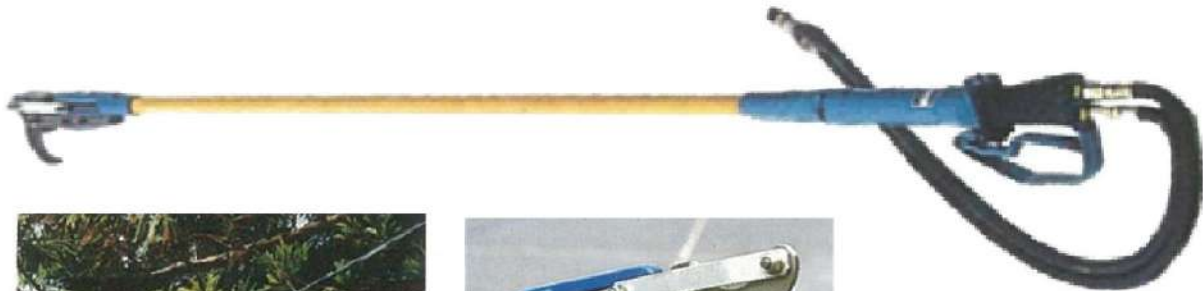
FEATURES:

1. Maruzen original hydraulic motor!
2. Automatic chain oiler
3. Insulation - Tested to meet OSHA Regulation 1910.269

Model	PSH190	PSH225
Dimensions (mm/in)	1900 (75)	2250 (88.5)
Weight (kg/lbs)	4.56 (10)	4.78 (10.5)
Oil flow (L (Gal)/min)	20 - 30 (5 - 8)	
Max Pressure (Mpa)	14.3	
Torque (N·m)	3.53	

PRUNER

For Trimming Trees Near Utility Line
Insulation Fiberglass Pipe



MPR-60



FEATURES:

1. Cut branches up to 58mm (2-1/4")
2. Light weight but powerful
3. Insulation - Tested to meet OSHA Regulation 1910.269

Model	MPR-60
Dimensions (mm/in)	2235 (88)
Weight (kg/lbs)	4.2 (9.2)
Oil flow (L (Gal) /min)	15 - 25 (4 - 6)
Max Pressure (Mpa)	14
Max Cutting Capacity (mm/in)	58 (2-1/4)

EARTH DRILL

Easy to Drill Ground Vertically & Horizontally!
Powerful Handy Auger Drill



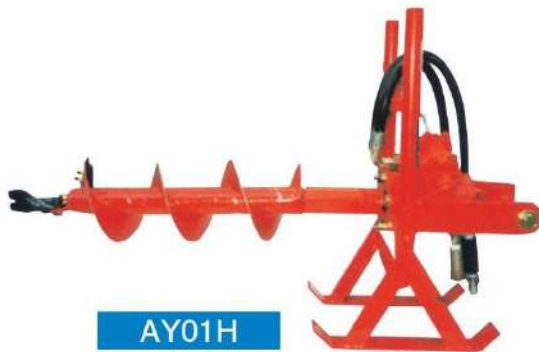
OH01



Vertical Model :
For tree planting and fencing works.

FEATURES:

- 1.Many sizes of auger are available (dia.75-400mm/3-16in)
- 2.Normal and reverse rotation changeable by a lever.
- 3.Deep drilling is possible with extension auger tools



AY01H



Horizontal Model : For water & sewage, gas piping works

FEATURES:

- 1.Dia.100-200mm (4-8in) for 3-4m (9-13ft) drilling.
- 2.Easy slider skid is equipped for horizontal drilling.

Model	AY01H	OH01
Dimensions (mm/in)	515×274×343 (21×11×14)	385×580 (16×23)
Weight (kg/lbs)	15 (33)	14 (30)
Oil flow (L (Gal)/min)	9.5-25 (2-6)	
Drilling torque (N/m)	Max 88	
Auger rotation (rpm)	Max 300	

CONCRETE CUTTER

For Cutting Concrete and Asphalt



CH130



Model	CH130
Dimensions (mm/in)	602×207×315 (24×9×13)
Weight (kg/lbs)	8 (17)
Oil flow (L (Gal)/min)	20.5 (5)
Rotation (rpm)	3200
Disc size (mm/in)	305 (12) shaft 22 (7/8)

FEATURES:

Powerful cutting and low noise with quality hydraulic motor.

WATER PUMP

For Pumping Water in Construction Site



PH300



FEATURES:

1. Durable, compact and light weight with hydraulic motor drive.
2. High performance with 3" discharged nozzle
3. Max 20m (65ft) hose extensible

Model	PH300
Dimensions (mm/in)	430×275×190 (17×11×8)
Weight (kg/lbs)	12.4 (27)
Oil flow (L (Gal)/min)	20.5 (5)
Discharge nozzle (mm/in)	75 (3)
Max Capacity (L)	780
Max height (m/ft)	20 (65)

HYDRAULIC TOOLS

CORE CUTTER



FEATURES:

- 1.High torque hydraulic motor makes your drilling work for a longer time.
- 2.High drilling speed.
- 3.Possible to make large dia drilling.

Model	DH190H-2
Dimensions (LxWxH) mm/in	821×225×497/32×9×19
Weight (kg/lbs)	31.5/69
Oil Flow (L (Gal)/min)	20.5/ 5
Torque (N·m)	73.2
R.P.M.	374
Max Core Dia. (mm/ in)	204/8

CONCRETE SAW

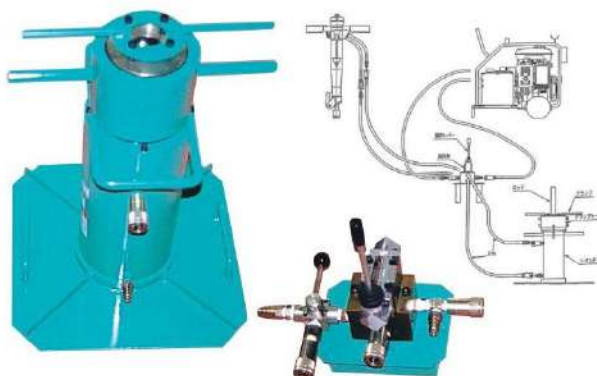


FEATURES:

- 1.Light weight (7.3kg) compact and low noise concrete saw.
- 2.Easy to replace chain and adjust the tension of chain.
- 3.Possible to cut-in max 300mm concrete wall.
- 4.High quality and durable chain segment.

Model	MDC-300
Dimensions (LxWxH) mm/in	692×283×305/26×11×12
Weight (kg/lbs)	7.3/16
Bar Size (mm/in)	330×57.2/13×2-1/4
Operating Pressure (Mpa)	11.7-15.5
Oil Flow (L (Gal)/min)	20.5/5
Required Water Supply (L (Gal)/min)	9/2.37
Required Water Pressure (Mpa)	0.3
R.P.M.	500

ROD PULLER



FEATURES:

- 1.Hollow cylinder design high power puller.
- 2.10t pulling power.
- 3.Easy operation with ball clamping system.

Model	EH-100
Dimensions (LxWxH) mm/in	403×379/16×15
Weight (kg/lbs)	33/72
Inner Hole Dia. (mm/in)	95/3-2/3
Stroke (mm/in)	175/7
Max Pulling Capacity (t)	10
Clamp Dia. (mm/in)	31 - 41/ 1-1/4-1-1/2

BATTERY DRIVEN MINI CRANE

Your Light Truck Changes To Your Crab Easily!
Easy To Load And Unload Heavy Cargo!

FEATURES:

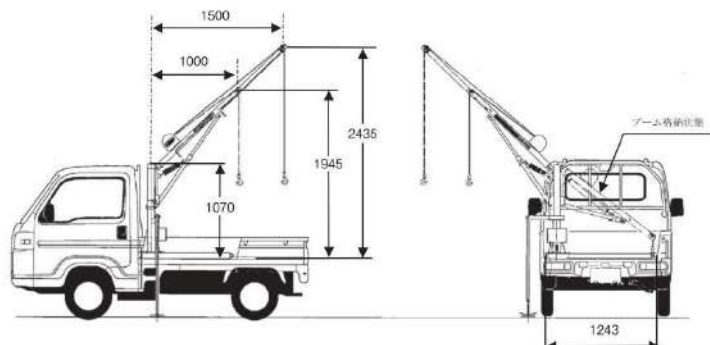
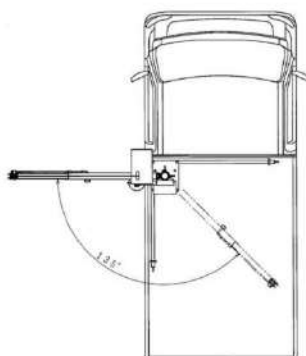
- 1.Can be mounted easily on your truck!
- 2.Can lift up max 300 kg!
- 3.Powerful winch motor powered by battery of truck!

APPLICATION EXAMPLES:

- * Lift up of motor bike.
- * Lift up of leisure goods
- * Lift up of agricultural machines or goods
- * Lift up of heavy equipment



Model		MMC-300S
Dimensions	Height (mm/in)	1070/42
	Length (mm/in)	1243/49
	Width (mm/in)	1083/43
Gross Weight (kg/lbs)		82.5/184
Max Lifting Capacity (kg/lbs)		1st boom (300/662) 2nd boom (200/442)
Winding Speed (m (in) /min)		4/ 157
Working Radius (m/in)		1st boom (1/39) 2nd boom (2/78)
Working Angle		135 w/ a fall-down prevention device
Max Loading Height		2m above truck bench
Power		12V DC winch motor
Electric Cable		dia 5mm x 7.7m (0.2x303)



RIG MOUNTED BREAKER

For Building Inside Works,
Road Works At Limited Narrow Space!

- Diaphragm type accumulator makes the gas leaking difficult and the operating stable.
- Most powerful in these classes.
- Simple mechanism but durable.



Model	BH501	BH801
Size with Side Bracket (mm/in)	605×338×194 (24×14×8)	750×476×218 (30×19×9)
Weight with Side Bracket (kg/lbs)	47 (104)	95 (210)
Operating Pressure (kgf/cm ² / Mpa)	90-140 (8.8-13.7)	100-150 (9.8-14.7)
Max Pressure (kgf/cm ² / Mpa)	210 (20.6)	280 (27.5)
Required Oil Flow (L/Gal)/min)	16-20 (4-5)	20-35 (5-9)
Blow Rate (BPM)	700-1000	500-950
Blow Energy (kgm)	12	23
Moil Point (Lx Dia. Mm)	450×45	450×56
Applicable Mini-Excavator Weight (kg)	750-980	2000-3000

RIG MOUNTED BRUSH MOWER

Your Mini-Excavator Chages To High Powered Brush Mower !



Model	GC600
Dimensions (mm/in)	L752×536×775 (30×22×31)
Weight (kg/lbs)	97 (214)
Hyd. Motor	Geared Motor
Flow Range (L (Gal) /min)	25-60 (6-15) with flow divider
Relief Set Pressure (Mpa)	17.2
Allowable Back Pressure (Mpa)	2.0
Blade (mm)	O.D. 610×W2.2
Blade RPM	3600
Torque (N·m)	12.7
Piping	With PTO circuit
Capacity (m3/H)	500-600

3 types of cutting blades make your various jobs more efficient and easier.



1. Blade for soft grass Teeth : 20pcs



2. Standard Blade Teeth : 40pcs



3. Blade for hard grass / bamboo Teeth : 100pcs



4. Blade with carbide tips (φ510)





MARUZEN KOGYO CO., LTD.

155-8, Nagabuse Mishima Shi,
Shizuoka Ken 411-0824

Tel : +81-55-977-2197 / Fax : +81-55-977-2184

[http://: www.maruzenkogyo.co.jp](http://www.maruzenkogyo.co.jp)