

# MARUZEN

## HYDRAULIC POWER UNIT

### MODEL UH130

## OPERATING MANUAL

### Original Instructions



FOR THE PURPOSE OF SAFETY, PLEASE READ THIS MANUAL THOROUGHLY BEFORE ATTEMPTING TO USE THIS BREAKER. ANY INCORRECT OPERATING PROCEDURES WILL CAUSE DAMAGE TO THE MACHINE. ALWAYS KEEP THIS MANUAL IN AN EASILY ACCESSIBLE PLACE.



**MARUZEN KOGYO CO., LTD.**

(June 9, 2026)

# FOREWORD

This manual is an important part of your equipment. It provides rules and guidelines which will help you use this machine safely and effectively. You **MUST** familiarize yourself with the functions and operations by reading the manual thoroughly before you begin using this machine. For your safety, it is especially important that you read and observe all precautions in this manual and labels on the machine. The precautions **MUST** be followed strictly at all times when performing operation and maintenance. \* Fail to follow the guidelines and safety alerts in the manuals and on the machine, or use this machine in alternative ways from the manuals may result in system failure or serious personal injury.

Keep this manual with the equipment or in an easily accessible place in all times for future reference. Make sure all personnel involved in working on this machine can consult it periodically. In case this manual should be lost or damaged, immediately contact us or your dealer to purchase a new copy.

We recommend you always use Maruzen genuine components and parts. Replacing components and parts from other sources may cause damages to this machine and endanger operators.

**MARUZEN KOGYO CO., LTD.**  
155-8 NAGABUSE, MISHIMA-SHI,  
SHIZUOKA-KEN, 411-0824, JAPAN

# CONTENTS

Safety Information.....	4 ~ 8
Safety Alert Classifications .....	5
Safety Alerts .....	6 ~ 8
Introductions.....	9
Specifications & Descriptions.....	10
Precaution Labels and Positions .....	11
Guidelines .....	12 ~ 13
Operation.....	13 ~ 17
Before Starting the Engine .....	13
Starting the Engine .....	14 ~ 16
Operating.....	18
Stop .....	19
Maintenance.....	20 ~ 21
Daily Inspection.....	20
Periodically Inspection .....	21
Troubleshooting.....	22 ~ 23
Exploded View I (Frame) .....	24
Parts List I (Frame).....	25
Exploded View II (Pump and Cooler).....	26
Parts List II (Pump and Cooler).....	27
Exploded View III (Tank).....	28
Parts List III (Tank) .....	29 ~ 30
Engine.....	31


## SAFETY INFORMATION


To enable you to use this machine safely, safety precautions are presented in this manual and label are affixed to the machine to provide explanations of situations involving potential hazards and how to avoid them.


## SAFETY ALERT CLASSIFICATIONS

The following safety alert symbols are used to inform you that there is a potential hazardous situation that may lead to personal injury or damage.

In this manual and on machine labels, the following safety alert symbols are used to express the potential level of hazard.

 Indicates an imminently hazardous situation which, if not avoided, will result in death or serious injury.



 Indicates a potentially hazardous situation which, if not avoided, could result in death or serious injury.



 Indicates a potentially hazardous situation which, if not avoided, may result in injury or property damage.



**\*\* Safety alert. Symbols are to emphasise all operations which, if not strictly followed, could result in a life-threatening situation, bodily injury or damaged tool.**

## SAFETY ALERTS

**DO NOT OPERATE THE MACHINE UNLESS THE FOLLOWING SAFETY INSTRUCTIONS HAVE BEEN THOROUGHLY READ AND UNDERSTOOD!**

	<b>R</b>  <b>WAR</b>
	<p><b>Read and understand all of the instructions and safety information in this manual before operating.</b></p>

	<b>R</b>  <b>WAR</b>
	<p><b>Pay special attention to high-pressure gas.</b> There is a risk of sudden breakage of hydraulic hoses which causes the oil inside to blow out.</p> <ol style="list-style-type: none"><li>1. Depressurize the machine before disconnecting any hoses.</li><li>2. Do not check for oil leaks with your bare hands since high-pressure oil is invisible and can cause serious injury. <b>ALWAYS</b> use cardboard or wood pieces to assist your inspection</li></ol>

	<b>R</b>  <b>WAR</b>
	<p><b>Be careful about exhaust gas.</b></p> <ol style="list-style-type: none"><li>1. Use the machine in a ventilated area.</li><li>2. Make sure the room is ventilated especially when using the machine indoor.</li></ol> <p>* Failure to observe this precaution can result personal injuries.</p>

## **R** **WAR**



### **Do not touch with your bare hands.**

1. Following by rapid raise of the oil temperature, the temperature of the machine goes up while and after the operation. **DO NOT** touch the machine with your bare hands.
  2. The temperature of tools will also raise while or after the operating. **BE SURE** that you always wear protective tool while using tools.
- \* Failure to observe this warning could result getting burned.

## **R** **WAR**



### **Before operating the tool, be sure to wear personal protective equipment such as follows:**

1. **Helmet**
2. **Protective goggles**
3. **Protective boots**
4. **Safety gloves**
5. **Ear protection**
6. **Dust mask**

\* Failure to observe this precaution could result serious personally injuries.



### **KEEP fire AWAY**

1. Keep fire away from the fuel filling port.
  2. TURN OFF the engine when refilling fuel.
- \* Failure to observe this precaution can result fire, explosion and cause serious personally injuries.



### **Do not operate the tool if:**

1. you are taking medication, feeling drowsy, unwell or tired.
  2. you are under the influence of drugs or alcohol.
  3. your hands, feet, lower back or other parts of your body hurt or are injured.
- \* Failure to observe this warning could result in serious injury or even death.



### **When lending someone the tool**

**Make sure the safety instructions have been thoroughly read and fully understood by the person who is going to use the tool.**

\* Failure to observe this precaution can result serious personal injuries or damage the machines.



**Do not operate the tool on the slope**

- 1. Do not operate the tool on the slope.**
- 2. When operating the tool on uneven ground, make sure to place stopper on the wheels to prevent moving.**

\* Failure to observe this precaution can result serious personal injuries or damage the machines.

Hydraulic systems and their components are in accordance with ISO 4413:2010, Hydraulic fluid power General rules and safety requirements for systems and their components.

## INTRODUCTION

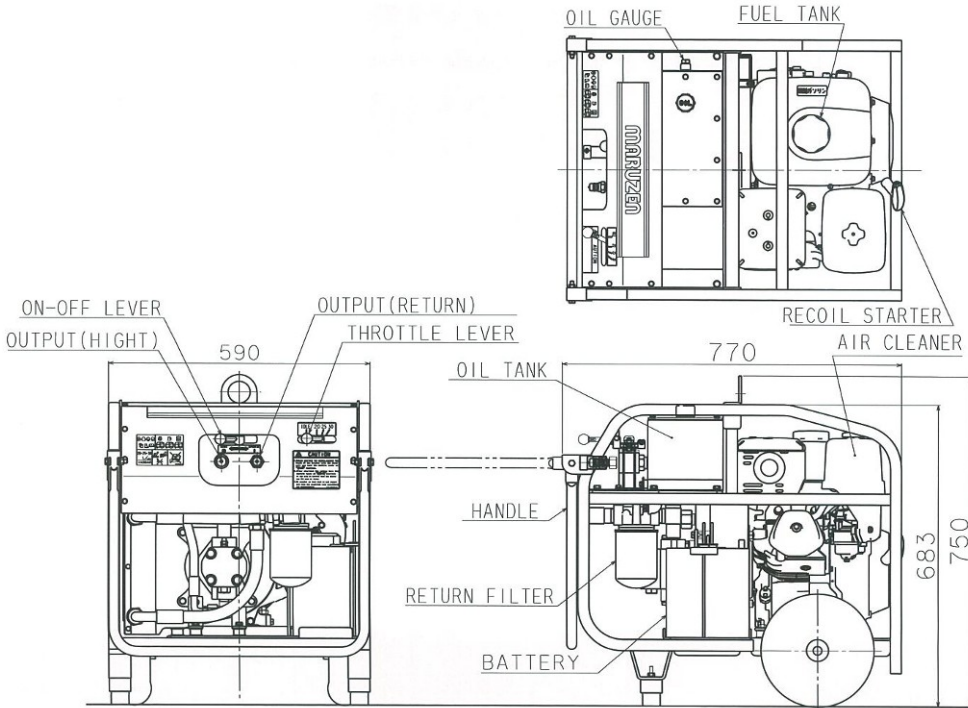
This power unit is designed to be used as power source for the following Maruzen handheld equipment:

Set up flow	Maruzen model	Maruzen model
20L/min	1) Hyd. Breaker BH23K, BH112, BH051 2) Hyd. Pile Driver KH190, KH240V, KH800	1) Hyd. Auger Drill OH01, AY01H 2) Hyd. Cutter CH130 3) Hyd. Water Pump PH300
25L/min	Hyd. Rock Drill DH204, DH205	
30L/min	Other 30L version tools	

**DO NOT** operate this power unit at the following situations:

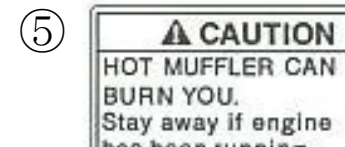
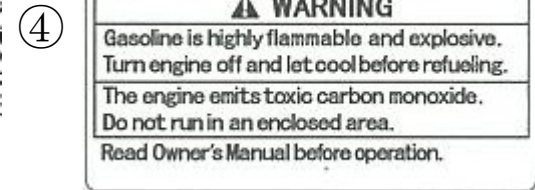
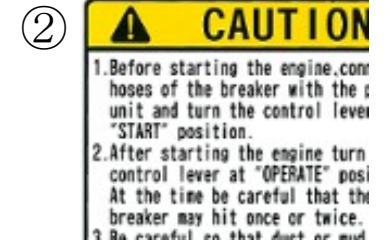
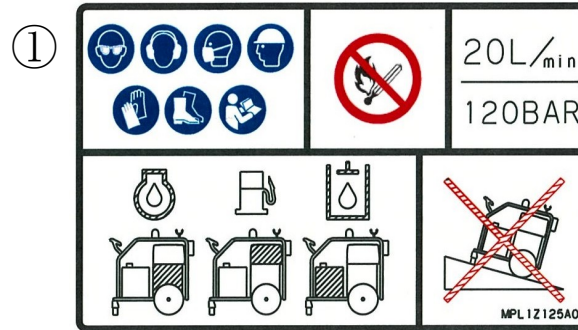
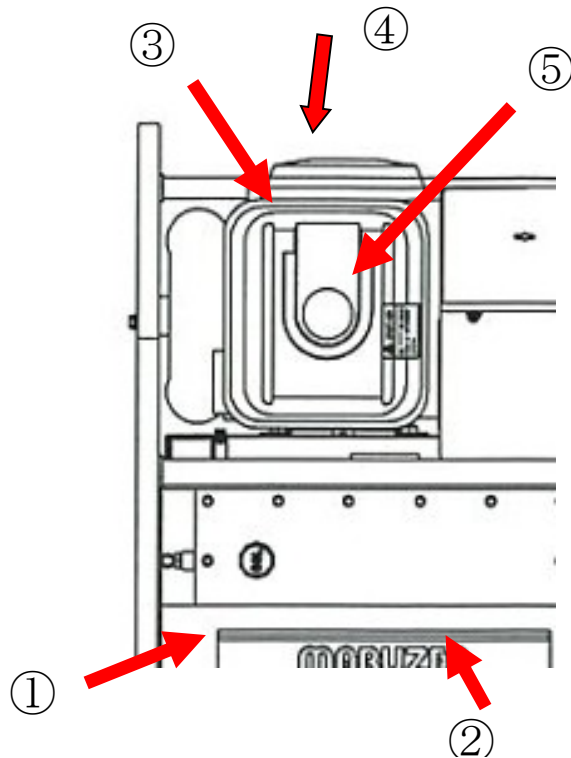
1. Close to inflammable objects or objects which catch fire easily.
2. Inclined ground.
3. Underground, or any places which are not well-ventilated.
4. At high altitudes which exceeds 1,000m \*(Consult with us or our service dealers if you have any questions regarding the matter.)
5. Use the equipment for purposes other than stated in this manual.
6. Do not use attachments that doesn't match the oil flow.
7. Do not change oil flow during operation.

## SPECIFICATION & DESCRIPTIONS



Dimensions	L 770mm x W 590mm x H 750mm
Dry Weight	102 kg
Max Pressure	15 MPa
Oil Flow	20•25•30 L/min (3 mode select)
Engine	HONDA GX390
•Max Output	8.7kW (at 3600rpm)
•Spark Plug	BPR6ES(NGK), W20EPR-U(DENSO)
•Fuel Tank Capacity	6.1 L
•Fuel	Non-lead Gasoline
•Engine Oil Capacity	1.1 L
•Engine Oil	HONDA Genuine Ultra-U General purpose (10W-30) Or API Classification over SE class SAE10W-30
Starter	Electric/Recoil
Battery	Over 12V 24Ah
Hydraulic Tank Capacity	8 L
Hydraulic Oil	ISO VG32 or equivalent
Oil Output Port	3/8" Quick Couplers
Connecting Hose	1/2" 10m Hose
Others	Oil flow changing valve Air cooled oil cooler

# PRECAUTION LABELS AND POSITIONS



No.	Part No.	Part Name
①	MPL1Z125A	LABE CV (CAUTION)
②	MPL1Z063A	LABELBP (CAUTION)
③	87519-Z4H-000	MARK, OPERATOR CAUTION (PICTGRAPH)
④	87516-Z4H-010	MARK, OPERATOR CAUTION (ENGLISH)
⑤	87539-Z0J-000	MARK, EX. CAUTION (ENGLISH)

## GUIDELINES

Following these guidelines before using this power unit:

1. Do not use the machine on slopes. When the machine is necessary to be used on slope, make sure the wheels are locked firmly.
2. Make sure that dirt, dust, and mud do not get into hoses while connecting and disconnecting the hoses.
3. When using new extension hose, hydraulic oil level of the tank will be down. Refill the oil of the tank accordingly.
4. Warm up the engine before using if the temperature is under 10°C.
5. Make sure there is no flammable object near the muffler of the exhaust system.
6. Anything related to engine, such as adjustments, storage and etc., refer to Robin Engine owner's manual for more information.
7. In case of sudden hydraulic hose breakage or hydraulic oil spout out of the hose, STOP the power unit right away.
8. Don't change the oil flow when operating the tools. The change of flow must be done only by the throttle lever on front panel. Don't change the flow by engine throttle.
9. When connecting and disconnecting hoses, a small amount of hydraulic oil might slip out. Make sure the circumference does not contaminate by hydraulic oil. Always check the hydraulic oil volume before operating. Refill the oil if necessary.
10. Always check the volume of hydraulic oil and re-fill the oil if it is on short.
11. When stored for a long term over 1 month, drain all the fuel in engine and clean the dirt, dust or mud on engine.
12. When stored UH130-2ES for a long term over 1 month, always disconnect the wires of battery. To disconnect the wires, disconnect the minus (−) side at first. To connect the wire again, connect the plus (+) side at first.
13. Notices for handling of battery
  - 1) Battery fluid is dilute sulfuric acid. Be much care for handling. When the acid attaches on hands or clothes, wash them with much water. If the acid is into your eyes, wash up your eyes with flown water

for over 15 minutes and a get medical check by doctor.

- 2) Be much care not to connect the electric poles (plus+/minus-) and wires of battery reversely. If connected reversely, serious trouble may happen.
- 3) After connecting the wires on the poles of battery, always put the covers on them.

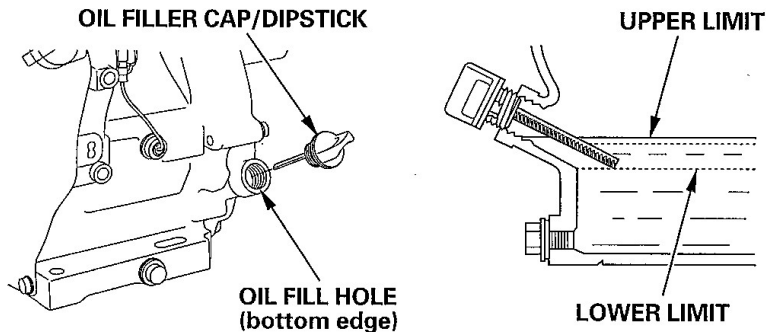
12. Use the hydraulic tools with this power unit within its specifications .

## OPERATION

### 1. Before Starting The Engine:

- (1) Engine Oil:

Check the engine oil level by oil gauge. This engine has oil alert system. This will automatically stops the engine before the oil level falls below the safe limit. Refill engine oil when the oil is below the min. level.



Capacity: 1.1L

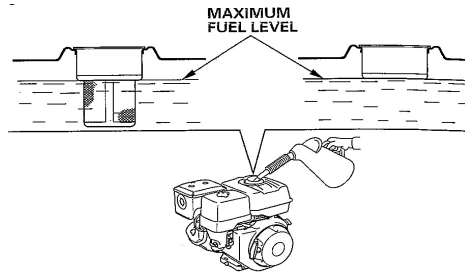
- (2) Hydraulic Oil:

Refill hydraulic oil when the oil level is below the oil indication window. Open the plug on the top of the hydraulic oil reservoir refill hydraulic oil till the oil level reach to the middle of the indication window.

Recommended hydraulic oil: *ISO VG32 or 46* or equivalent.

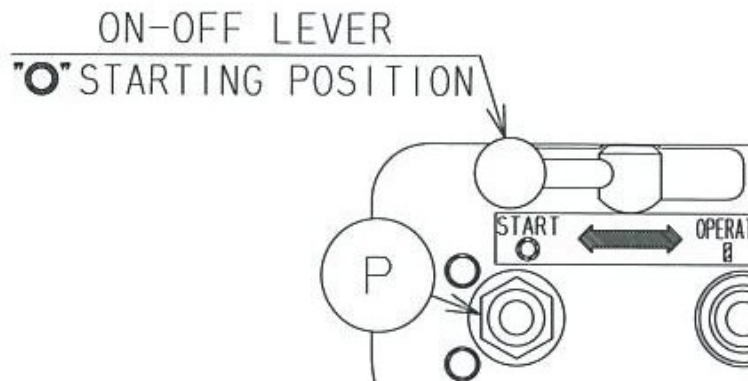
Capacity: 8L

- (3) Fuel:  
Refill gasoline into the fuel tank.  
Capacity: 6.1 L  
If there is any spilled gasoline, Wipe it out.

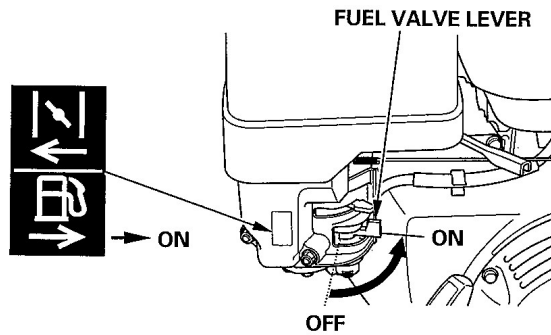


## 2. Start The Engine:

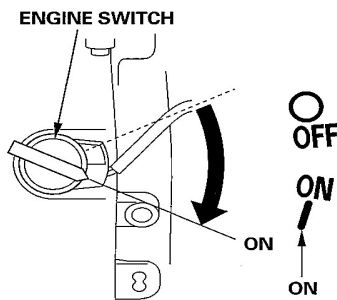
- (1) Attach power unit and equipment (breakers and etc) with connection hoses before starting engine.  
DO NOT start engine without connecting to equipment with hoses.  
MAKE SURE control lever indicates to "START ○" position.



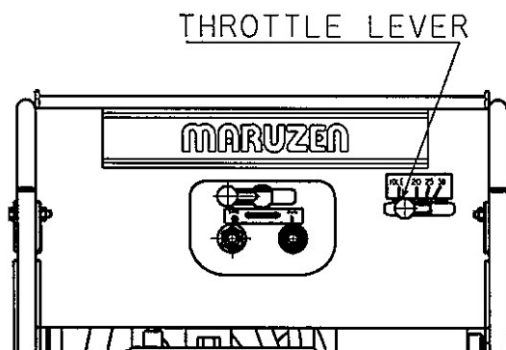
- (2) Start the operation.  
① Open the fuel cock.



- ② Turn the switch to “ I ” (ON) position.



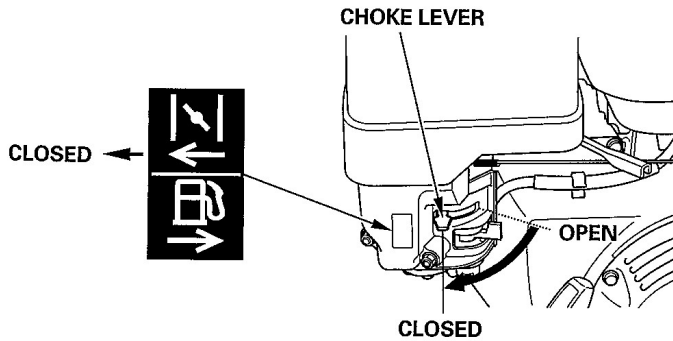
- ③ Shift the throttle lever from idling position to 20L position.



④ Close the choke lever.

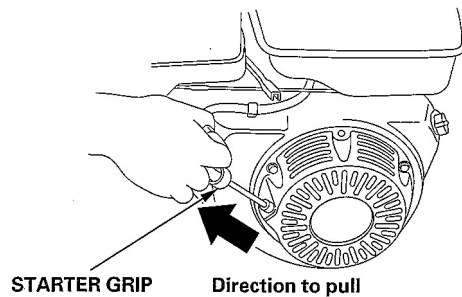
When to open the choke lever:

- When the weather is cold or when the engine is cold, close the choke.
- When the weather is warm or when starting the engine right after stopping, fully or partially open the choke.



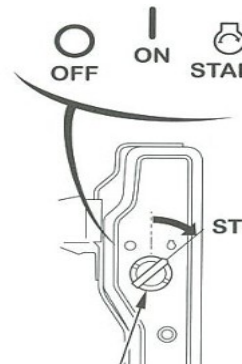
⑤ -1 **RECOIL START**

**UH130** : Pull start rope gradually. DO NOT pull the starter rope rapidly. While the rope is fully pulled, hold it in your hand. DO NOT release it from your hand. Hold the start rope till it returns to its original position.

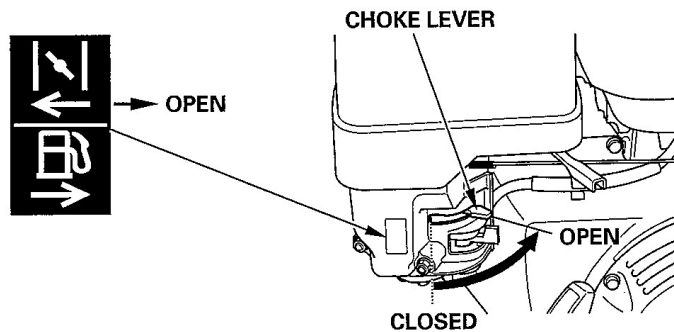


⑤ -2 **Electric Start**

**UH130ES** : Turn the engine switch to start position and start engine with cell starter.



- ⑥ After starting the engine, open the choke lever.
- Open the choke gradually with corresponding to the engine's condition. But eventually, the choke should be fully opened.
  - When the weather is cold, engine might stop if you open the choke too rapidly.



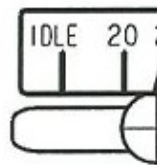
### 3. Operating

- (1) Turn the throttle lever to 20L, 25L, 30L already set up in our factory.

20L/min

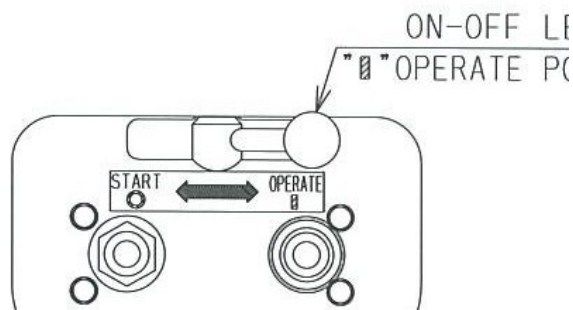


25L/min



30L/min

- (2) Turn the ON-OFF lever to running position "I" (OPERATE).



- (3) Operate the hydraulic tools. For the operation of each tool, read and follow the operation manuals of each tool.

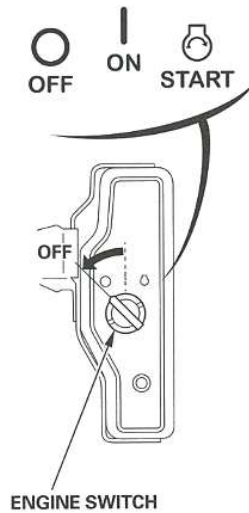
Read through all the operating manuals of hydraulic tools (breakers and etc.) which you intended to use.

#### 4. Stop

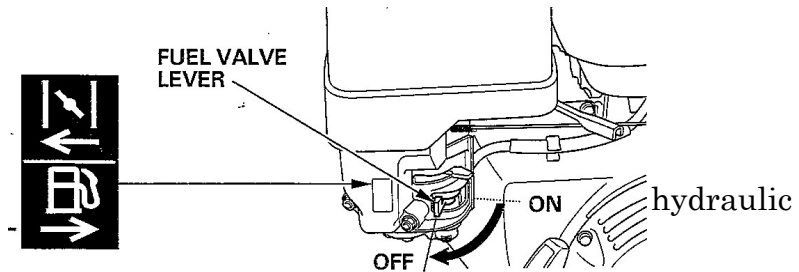
- 1) Turn the throttle to low speed and make it runs for 1 to 2 minutes.



- 2) Turn the stop switch to OFF ( O ) position.



- 3) Close the fuel valve.





Make sure to close the fuel valve after operation.  
If not following this, during the transportation, petrol in the fuel tank flows into the crank case, mixing the petrol and engine oil, it cause the engine not to start.

The temperature of some parts of this power unit, tools, extension hoses may go high after being operated. Always wear gloves when operating.

## MAINTANANCE

### I. Daily Inspections

- (1) Check the engine oil level each time before starting the engine.
- (2) Make sure hydraulic oil is above the middle line on the indicator window. Refill hydraulic oil if necessary. (Recommended Hydraulic Oil: ISO VG32 or 46 or equivalent)
- (3) Clean the element of the air cleaner in the engine.
- (4) Make sure there is no oil leakage from the pump or hoses. Tighten up the hose joints and bolts if necessary.
- (5) Start the engine, make it runs in low speed (Idling) and make sure there is no abnormal sound and abnormal movement from the engine.
- (6) Check all the hoses of tools and extension if they are not scratches, damages or bent on them. Replace the hoses if necessary.

## II. Periodically Inspections

For the purpose of keeping the power unit in a good condition, make sure the following maintenance items are done periodically.

	Every 3 months or 50H	Every 6 months or 100H	Every year or 200H
Change engine oil	○*1		
Clean the air cleaner	○		
Clean the spark plug	○		
Change hydraulic oil		○(1)	
Clean the radiator		○(2)	
Clean the strainer			○
Replace cartridge filter			○
Clean the suction filter			○(3)
Clean of hydraulic tank			○
Checking of the voltage of battery*2	1-2 times every month (4)		

\*1 first 20 hours

- (1) Draw out the hydraulic oil from the drain plug at the bottom of the oil tank.  
Changing the hydraulic oil when the color of the hydraulic oil changed or when it smells burning. Always replace the same type of hydraulic oil.
- (2) Clean dust and dirt of radiator blowing away by air blower from outside.
- (3) Suction filter should be cleaned by non-lead gasoline.
- (4) Battery should keep the voltage within 13.5-12V(normal range). Voltage of battery will be decreasing gradually. When electric starter does not start even though recharged to the battery, replace it.

# TROUBLE SHOOTING

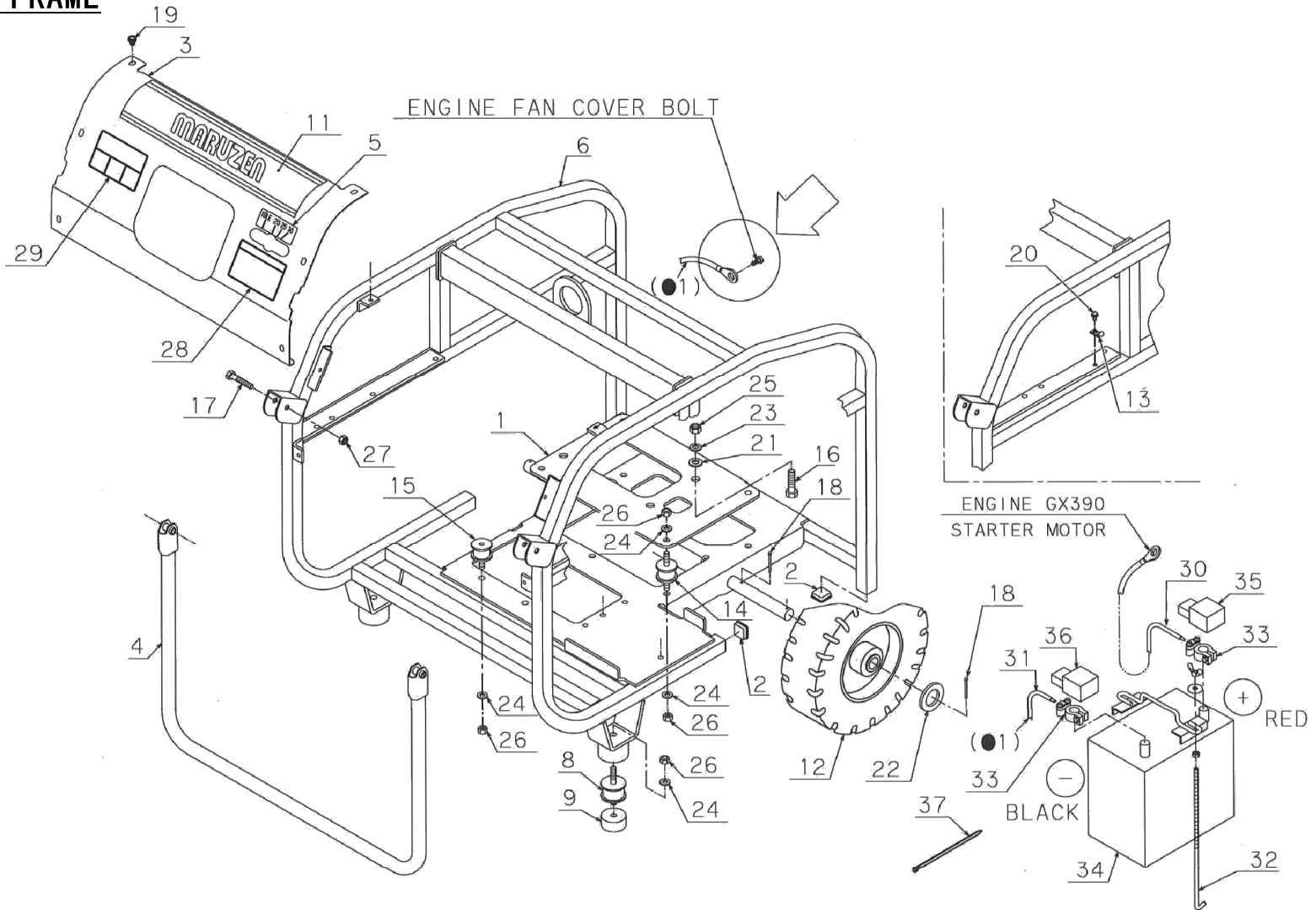
Ask your dealer for service for items with\*

Symptoms	Causes	Countermeasures
1. Engine does not start	<ol style="list-style-type: none"> <li>1. No fuel in fuel tank</li> <li>2. Bad fuel</li> <li>3. Air is in the fuel pipe and breaks the flow of fuel into carburetor (after long storage or after out of fuel)</li> <li>4. Damage of ignition plug</li> <li>5. Clog of carburetor</li> <li>6. Fuel cock is closed</li> <li>7. Overflow of fuel by overusing chock</li> <li>8. Trouble of ignition</li> <li>9. Clog of fuel filter</li> <li>10. Switch is in "OFF"(O) position</li> <li>11. Clog of air cleaner.</li> <li>12. Less engine oil</li> </ol>	<ol style="list-style-type: none"> <li>1. Refill fuel</li> <li>2. Replace it</li> <li>3. Refill fuel in full or release air from the cup of the fuel cock</li> <li>4. Clean or replace ignition plug</li> <li>5. Disassemble and clean the carburetor</li> <li>6. Open the fuel cock</li> <li>7. Turn the choke lever to close position, pull starter robe several times.</li> <li>8. Inspect or repair if necessary *</li> <li>9. Clean the fuel filter</li> <li>10. Turn the switch to "ON"(I) position</li> <li>11. Clean the air cleaner *</li> <li>12. Refill the engine oil</li> </ol>
2. Start rope is heavy when pulling	<ol style="list-style-type: none"> <li>1. Power unit is not connected with the equipment (breaker and etc)</li> <li>2. Burning of cylinder due to less engine oil</li> <li>3. Damage of couplers</li> <li>4. Selector lever is not on the starter position "O".</li> </ol>	<ol style="list-style-type: none"> <li>1. Connected power unit to equipment (breaker and etc)</li> <li>2. Disassemble and repair *</li> <li>3. Inspect, replace new ones if necessary</li> <li>4. Turn the lever</li> </ol>
3. Engine rotation (rpm) does not raise up	<ol style="list-style-type: none"> <li>1. Choke was not turned to the original position</li> <li>2. Not enough fuel</li> <li>3. Clog of fuel filter</li> <li>4. Clog of air cleaner</li> </ol>	<ol style="list-style-type: none"> <li>1. Turn the choke to its original position</li> <li>2. Refill fuel</li> <li>3. Clean the fuel filter *</li> <li>4. Clean the air cleaner</li> </ol>

	5. Looseness or damage of throttle wire	5. Adjust or replace *
4. Attached tool does not operate or operate in lower power	<ol style="list-style-type: none"> <li>1. Trouble of the tool</li> <li>2. Tool is not suitable and out of specs</li> <li>3. Not enough hydraulic oil</li> <li>4. Insufficiency of the hydraulic oil</li> <li>5. Decrease of relief valve pressure</li> <li>6. Wear of pump</li> <li>7. Damage of coupler</li> <li>8. Control lever is in “START”(O) position</li> </ol>	<ol style="list-style-type: none"> <li>1. Check and repair *</li> <li>2. Use suitable tool</li> <li>3. Refill hydraulic oil</li> <li>4. Change hydraulic oil</li> <li>5. Adjust relief valve pressure *</li> <li>6. Replace a new pump *</li> <li>7. Replace</li> <li>8. Turn the control lever to “ OPERATE”(I) position</li> </ol>
5. Oil temperature is abnormally high (Over 90°C)	<ol style="list-style-type: none"> <li>1. Clog of radiator</li> <li>2. Clog of fan</li> </ol>	<ol style="list-style-type: none"> <li>1. Clean the radiator</li> <li>2. Clean the fan</li> </ol>
6. Oil leakage from hoses or couplers	<ol style="list-style-type: none"> <li>1. Loose of hoses fitting and couplers</li> <li>2. Damage of hoses</li> </ol>	<ol style="list-style-type: none"> <li>1. Tighten up hoses and couplers</li> <li>2. Replace new hoses or couplers if necessary</li> </ol>
7. Stop switch is OFF but engine does not stop	<ol style="list-style-type: none"> <li>1. Switch code or earth wire is broken or loosen</li> </ol>	<ol style="list-style-type: none"> <li>1. Check and repair *</li> </ol>
8. Engine stops	<ol style="list-style-type: none"> <li>1. Overload (continuous operation in condition of working the relief valve)</li> <li>2. No fuel</li> <li>3. Trouble of electric circuit</li> <li>4. Less engine oil ( check oil alert )</li> </ol>	<ol style="list-style-type: none"> <li>1. Decrease load</li> <li>2. Refill fuel</li> <li>3. Check and repair *</li> <li>4. Refill engine oil</li> </ol>
9. Cell starter won't work	<ol style="list-style-type: none"> <li>1. Switch lever is “I” position</li> <li>2. Less engine oil</li> <li>3. Discharged electricity of battery</li> <li>4. Break or disconnect of electric circuit</li> </ol>	<ol style="list-style-type: none"> <li>1. Turn the switch lever to “O” position *</li> <li>2. Refill engine oil</li> <li>3. Charge or replace battery</li> <li>4. Check and repair *</li> </ol>
10. Battery is not recharged	<ol style="list-style-type: none"> <li>1. Trouble of electric circuit inside of engine</li> <li>2. Full discharged of battery</li> </ol>	<ol style="list-style-type: none"> <li>1. Check and repair *</li> <li>2. Replace *</li> </ol>

# EXPLODED VIEW/ PARTS LIST

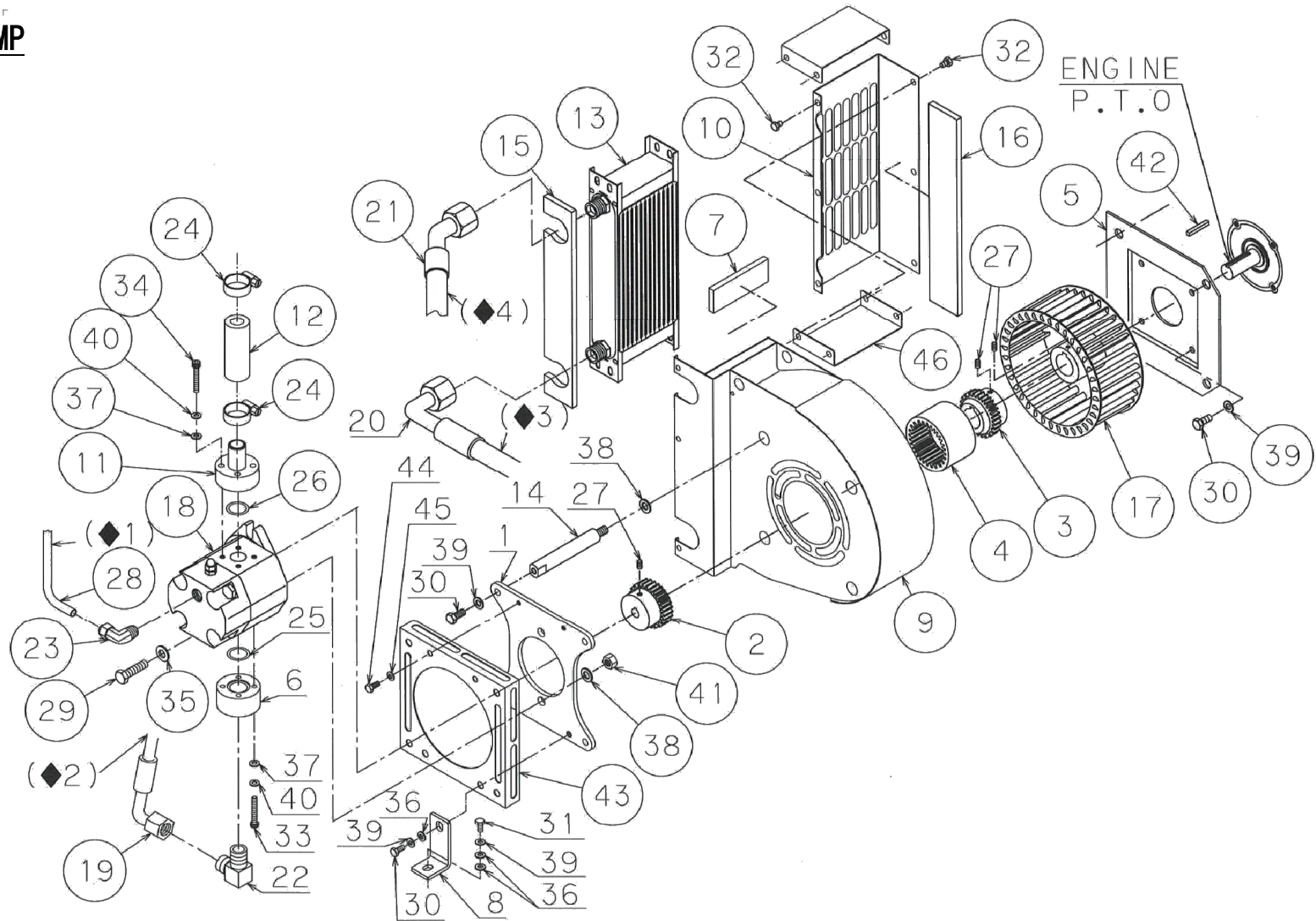
## 1. FRAME



# 1. FRAME

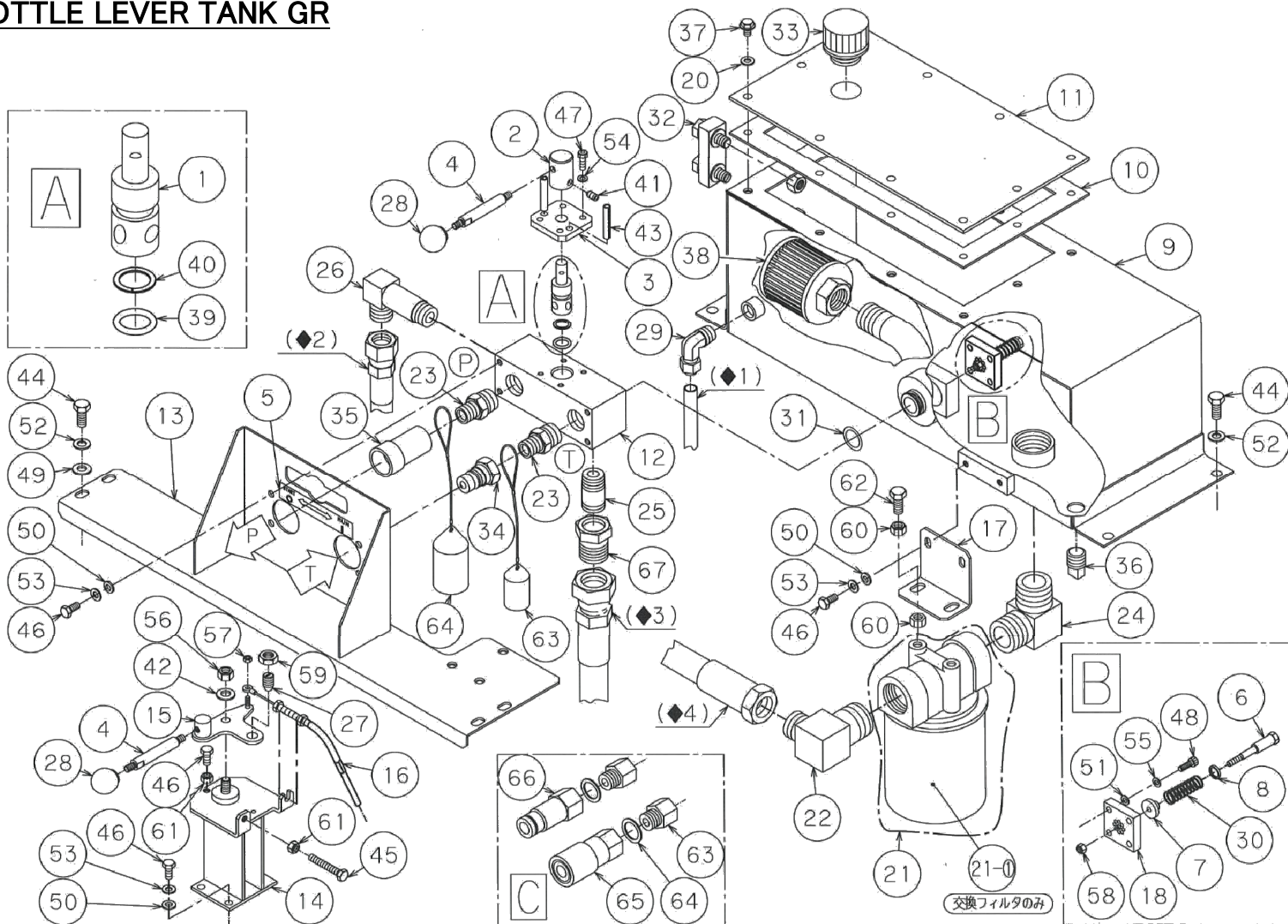
No.	Part Number	Descriptions	Q'ty	No.	Part Number	Descriptions	Q'ty
1	MU14Z037A	Engine Base	1	19	BG-6 × 8	Bolt	8
2	106-11307	Wheel Shaft	1	20	SR-5 × 10(3P)	Screw	1
3	MU14X036A	Front Panel	1	21	WP-10	Washer	4
4	MU14Y026A	Handle	1	22	WP-20	Washer	2
5	MU14Z041A	Throttle Label	1	23	WS-10	Washer	4
6	MU14W051A	Frame (A)	1	24	WS-8	Washer	12
7	—	—	—	25	N1-10	Nut	4
8	KA-40	Rubber	2	26	N1-8	Nut	12
9	MU14Z032A	Front Leg	2	27	NN-8	Nylon Nut	2
10	—	—	—	28	MPL1Z063A	Label BP (CAUTION)	1
11	MU08Z032A	MARUZEN Label	1	29	MPL1Z106A	Label CW (CAUTION)	1
12	Solid Rubber wheel (10")	Wheel	2	30	MU14Z059A	Battery Cable	1
13	COPS3-20P	Cable Clip (Steel)	1	31	MU14Z060A	Earth Wire	1
14	KA-30	Cushion Rubber	4	32	B668	Battery Flame	1
15	RA-30	Cushion Rubber	2	33	Y134	Battery Terminal	2
16	B-10 × 45	Bolt	4	34	40B19L	Battery (12V24Ah)	1
17	B-8 × 45 (11T)	Bolt	2	35	1675	Terminal Cover RED	1
18	PS-3.2 × 30	Pin	4	36	BTC17K	Teriminal Cover BLACK]	1

## 2. PUMP



No.	Part Number	Descriptions	Q'ty	No.	Part Number	Descriptions	Q'ty
1	MU14Z005A	Pump Flange (MAR)	1	24	SS-12	Hose Band	2
2	MU14Z046A	Coupling (MAR)	1	25	OP-24	O Ring	1
3	MU14Z045A	Coupling (GX390)	1	26	OP-22	O Ring	1
4	MU07Z034A	Hub	1	27	SH-6 × 8KUBOMISAKI	Screw	3
5	MU14Z007A	Mounting Plate	1	28	N2-4-10 × 8 L=330	Nylon Tube	1
6	MU14Z009A	Delivery Flange(Φ 20)	1	29	B-10 × 40	Bolt	2
7	MU14Z010A	packing(A)	2	30	B-8 × 20	Bolt	14
8	MU14Z014A	Cushion Rubber Bracket	2	31	B-8 × 16	Bolt	2
9	MU14Y037A	Fan Case	1	32	B-6 × 10(2P)	Bolt	6
10	MU14Y033A	Radiator Cover	1	33	BH-6 × 40	Bolt	4
11	MU14Z027A	Suction flange	1	34	BH-6 × 35	Bolt	4
12	MU14Z028A	Suction Hose (MAR)	1	35	WP-10	Washer	2
13	R3NSZ022A	Radiator	1	36	WP-8	Washer	6
14	MU07Z005A	Stud Bolt	4	37	WP-6	Washer	8
15	MU07Z007A	Packing(A)	1	38	WS-10	Washer	6
16	MU07Z008A	Packing(B)	1	39	WS-8	Washer	12
17	MU14Z001A	Fan	1	40	WS-6	Washer	14
18	ALP2A-D-12-2/2-D-VM-E3/140	Pump	1	41	N1-10	Nut	2
19	17126·8--34--	Hose	1	42	90741-805-000	Key	1
20	03196·8--48--	Hose	1	43	MU14Z031A	Fan Guard	1
21	03196·7--42--	Hose	1	44	B-6 × 10(2P)	Bolt	2
22	N-1034-08	Adapter	2	45	WP-6	Bolt	2
23	L4N10 × 8-PT3/8	Elbow	1	46	MU14Z067A	Radiator Side Cover	2

### 3. THROTTLE LEVER TANK GR



No.	Part Number	Descriptions	Q'ty	No.	Part Number	Descriptions	Q'ty
1	MU14Z008A	Rotary	1	23	N-2083-06-08	Adaptor	2
2	MU14Z011A	Cap	1	24	N-2086-16	Adaptor	1
3	MU14Z012A	Plate	1	25	N-2084-08-65A	Adaptor	1
4	MU14Z013A	Lever	2	26	N-9034-08	Adaptor	1
5	MU14Z042A	Operation Label	1	27	PBF-10	Mini Ball Plunger	1
6	MU14Z015A	Shaft	1	28	PC25 × 6B	Ball	2
7	MU14Z016A	Bypass Valve	1	29	L4N10 × 8—PT1/4	Elbow	1
8	MU14Z017A	Washer(Bypass)	1	30	11-1344	Spring	1
9	MU14Y052A	Tank (A)	1	31	OP-20(1B)	O-Ring	1
10	MU14Z054A	Tank Packing (A)	1	32	CD D6—H40 FLOAT (RED)	Oil Level Gauge	1
11	MU14Z055A	Tank Lid (A)	1	33	BM-3/4	Breather Cap	1
12	MU14Z020B	Valve Body	1	34	QC—O3M	Coupler Male	1
13	MU14Y056A	Valve Body Bracket (A)	1	35	QC—O3F	Coupler Female	1
14	MU14Y022A	Throttle Base GX390	1	36	3/8Plug	Plug	1
15	MU14Z023A	Throttle Lever	1	37	BG—6 × 15	Bolt	10
16	MU14Z024A	Control Cable	1	38	SFT-06	Suction Filter	1
17	MU14Z053A	Filter Bracket (C)	1	39	OP-14	O-Ring	1
18	MU14Z029A	Bypass Flange	1	40	OBP-14	Backup Ring	1
19	MU14Z030B	Bypass Adaptor	1	41	SH—6 × 8 Point	Screw	1
20	1240-404	∅ 6 Washer	10	42	WF— 8	Washer	1
21	CP—08-132	Cartridge Filter	1	43	PR-6 × 35	Pin	2
21-1	CP132	Replacement Cartridge	1	44	B-8 × 20	Bolt	10
22	N-2083-06-08	Adaptor	2	45	B-6 × 45 Full Thread	Bolt	1

No.	Part Number	Descriptions	Q'ty	No.	Part Number	Descriptions	Q'ty
46	B-6 × 15	Bolt	8	Flat Face Coupler (No.63~66)			
47	BH-5 × 15	Bolt	4	63	N-1007-06	Adaptor	2
48	BH-4 × 15	Bolt	4	64	W18S1	Washer	2
49	WP-8	Washer	4	65	10-362-6204	FF Coupler Male	1
50	WP-6	Washer	9	66	10-362-1204	FF Coupler Female	1
51	WP-4	Washer	4	67	N-1007-08-12	Adaptor	1
52	WS-8	Washer	10				
53	WS-6	Washer	8				
54	WS-5	Washer	4				
55	WS-4	Washer	4				
56	NN-8	Nylon Nut	1				
57	NN-4	Nylon Nut	1				
58	NU-5	U Nut	1				
59	N1-10	Nut	1				
60	N1-8	Nut	10				
61	N1-6	Nut	2				
62	B-8 × 30	Bolt	2				

## 4. Engine

No	Code	Description	Q'ty
1	GX390UT2X SXE4	Engine	1
2	16594-883-010	Wire Holder	1
3	E-5	Circrip	1
4	SR-4 × 6 (Ucr)	Screw	1

