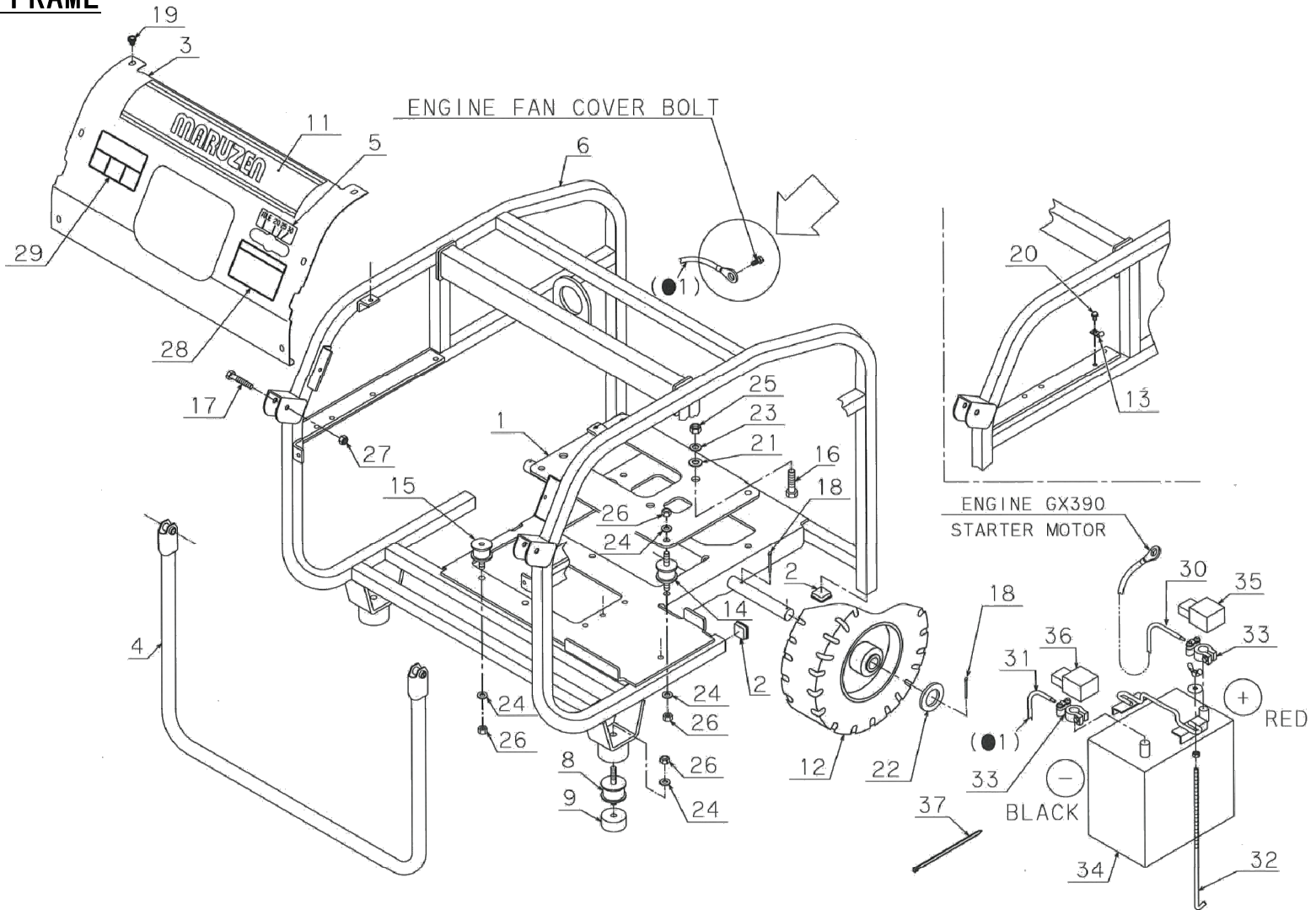


# EXPLODED VIEW/ PARTS LIST

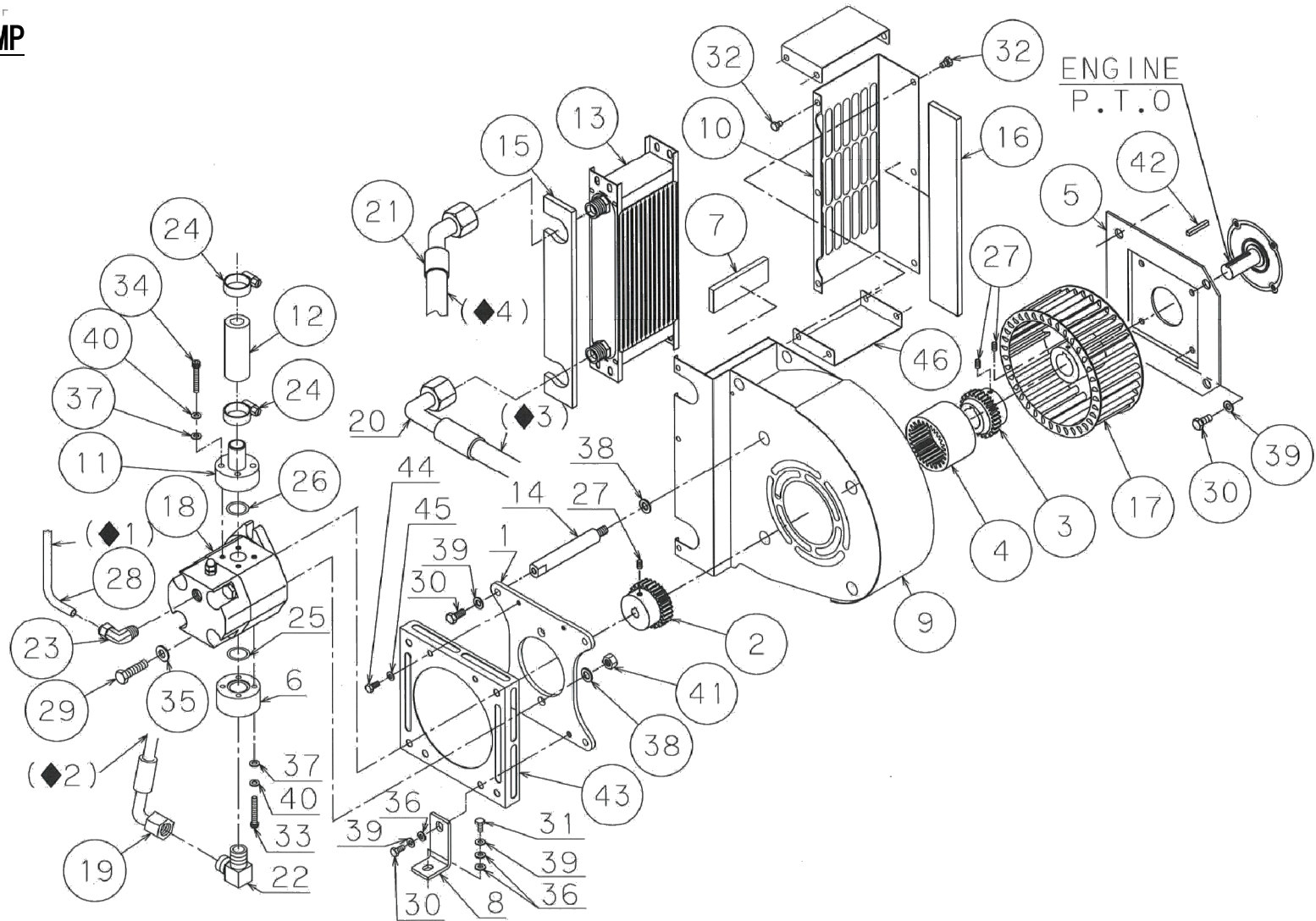
## 1. FRAME



# 1. FRAME

No.	Part Number	Descriptions	Q'ty	No.	Part Number	Descriptions	Q'ty
1	MU14Z037A	Engine Base	1	19	BG-6 × 8	Bolt	8
2	106-11307	Wheel Shaft	1	20	SR-5 × 10(3P)	Screw	1
3	MU14X036A	Front Panel	1	21	WP-10	Washer	4
4	MU14Y026A	Handle	1	22	WP-20	Washer	2
5	MU14Z041A	Throttle Label	1	23	WS-10	Washer	4
6	MU14W051A	Frame (A)	1	24	WS-8	Washer	12
7	—	—	—	25	N1-10	Nut	4
8	KA-40	Rubber	2	26	N1-8	Nut	12
9	MU14Z032A	Front Leg	2	27	NN-8	Nylon Nut	2
10	—	—	—	28	MPL1Z063A	Label BP (CAUTION)	1
11	MU08Z032A	MARUZEN Label	1	29	MPL1Z106A	Label CW (CAUTION)	1
12	Solid Rubber wheel (10")	Wheel	2	30	MU14Z059A	Battery Cable	1
13	COPS3-20P	Cable Clip (Steel)	1	31	MU14Z060A	Earth Wire	1
14	KA-30	Cushion Rubber	4	32	B668	Battery Flame	1
15	RA-30	Cushion Rubber	2	33	Y134	Battery Terminal	2
16	B-10 × 45	Bolt	4	34	40B19L	Battery (12V24Ah)	1
17	B-8 × 45 (11T)	Bolt	2	35	1675	Terminal Cover RED	1
18	PS-3.2 × 30	Pin	4	36	BTC17K	Teriminal Cover BLACK]	1

## 2. PUMP



No.	Part Number	Descriptions	Q'ty	No.	Part Number	Descriptions	Q'ty
1	MU14Z005A	Pump Flange (MAR)	1	24	SS-12	Hose Band	2
2	MU14Z046A	Coupling (MAR)	1	25	OP-24	O Ring	1
3	MU14Z045A	Coupling (GX390)	1	26	OP-22	O Ring	1
4	MU07Z034A	Hub	1	27	SH-6 × 8KUBOMISAKI	Screw	3
5	MU14Z007A	Mounting Plate	1	28	N2-4-10 × 8 L=330	Nylon Tube	1
6	MU14Z009A	Delivery Flange(Φ 20)	1	29	B-10 × 40	Bolt	2
7	MU14Z010A	packing(A)	2	30	B-8 × 20	Bolt	14
8	MU14Z014A	Cushion Rubber Bracket	2	31	B-8 × 16	Bolt	2
9	MU14Y037A	Fan Case	1	32	B-6 × 10(2P)	Bolt	6
10	MU14Y033A	Radiator Cover	1	33	BH-6 × 40	Bolt	4
11	MU14Z027A	Suction flange	1	34	BH-6 × 35	Bolt	4
12	MU14Z028A	Suction Hose (MAR)	1	35	WP-10	Washer	2
13	R3NSZ022A	Radiator	1	36	WP-8	Washer	6
14	MU07Z005A	Stud Bolt	4	37	WP-6	Washer	8
15	MU07Z007A	Packing(A)	1	38	WS-10	Washer	6
16	MU07Z008A	Packing(B)	1	39	WS-8	Washer	12
17	MU14Z001A	Fan	1	40	WS-6	Washer	14
18	ALP2A-D-12-2/2-D-VM-E3/140	Pump	1	41	N1-10	Nut	2
19	17126·8--34--	Hose	1	42	90741-805-000	Key	1
20	03196·8--48--	Hose	1	43	MU14Z031A	Fan Guard	1
21	03196·7--42--	Hose	1	44	B-6 × 10(2P)	Bolt	2
22	N-1034-08	Adapter	2	45	WP-6	Bolt	2
23	L4N10 × 8-PT3/8	Elbow	1	46	MU14Z067A	Radiator Side Cover	2



No.	Part Number	Descriptions	Q'ty	No.	Part Number	Descriptions	Q'ty
1	MU14Z008A	Rotary	1	23	N-2083-06-08	Adaptor	2
2	MU14Z011A	Cap	1	24	N-2086-16	Adaptor	1
3	MU14Z012A	Plate	1	25	N-2084-08-65A	Adaptor	1
4	MU14Z013A	Lever	2	26	N-9034-08	Adaptor	1
5	MU14Z042A	Operation Label	1	27	PBF-10	Mini Ball Plunger	1
6	MU14Z015A	Shaft	1	28	PC25 × 6B	Ball	2
7	MU14Z016A	Bypass Valve	1	29	L4N10 × 8—PT1/4	Elbow	1
8	MU14Z017A	Washer(Bypass)	1	30	11-1344	Spring	1
9	MU14Y052A	Tank (A)	1	31	OP-20(1B)	O-Ring	1
10	MU14Z054A	Tank Packing (A)	1	32	CD D6—H40 FLOAT (RED)	Oil Level Gauge	1
11	MU14Z055A	Tank Lid (A)	1	33	BM-3/4	Breather Cap	1
12	MU14Z020B	Valve Body	1	34	QC—O3M	Coupler Male	1
13	MU14Y056A	Valve Body Bracket (A)	1	35	QC—O3F	Coupler Female	1
14	MU14Y022A	Throttle Base GX390	1	36	3/8Plug	Plug	1
15	MU14Z023A	Throttle Lever	1	37	BG—6 × 15	Bolt	10
16	MU14Z024A	Control Cable	1	38	SFT-06	Suction Filter	1
17	MU14Z053A	Filter Bracket (C)	1	39	OP-14	O-Ring	1
18	MU14Z029A	Bypass Flange	1	40	OBP-14	Backup Ring	1
19	MU14Z030B	Bypass Adaptor	1	41	SH—6 × 8 Point	Screw	1
20	1240-404	φ 6 Washer	10	42	WF—8	Washer	1
21	CP—08-132	Cartridge Filter	1	43	PR-6 × 35	Pin	2
21-1	CP132	Replacement Cartridge	1	44	B-8 × 20	Bolt	10
22	N-2083-06-08	Adaptor	2	45	B-6 × 45 Full Thread	Bolt	1

No.	Part Number	Descriptions	Q'ty	No.	Part Number	Descriptions	Q'ty
46	B-6 × 15	Bolt	8	Flat Face Coupler (No.63~66)			
47	BH-5 × 15	Bolt	4	63	N-1007-06	Adaptor	2
48	BH-4 × 15	Bolt	4	64	W18S1	Washer	2
49	WP-8	Washer	4	65	10-362-6204	FF Coupler Male	1
50	WP-6	Washer	9	66	10-362-1204	FF Coupler Female	1
51	WP-4	Washer	4	67	N-1007-08-12	Adaptor	1
52	WS-8	Washer	10				
53	WS-6	Washer	8				
54	WS-5	Washer	4				
55	WS-4	Washer	4				
56	NN-8	Nylon Nut	1				
57	NN-4	Nylon Nut	1				
58	NU-5	U Nut	1				
59	N1-10	Nut	1				
60	N1-8	Nut	10				
61	N1-6	Nut	2				
62	B-8 × 30	Bolt	2				

## 4. Engine

No	Code	Description	Q'ty
1	GX390UT2X SXE4	Engine	1
2	16594-883-010	Wire Holder	1
3	E-5	Circrip	1
4	SR-4 × 6 (Ucr)	Screw	1

